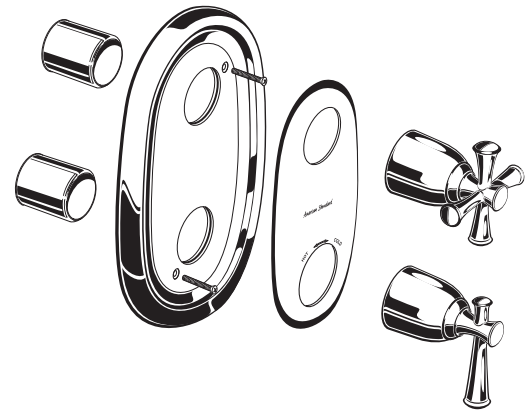


*American Standard*

**PORTSMOUTH™**  
**CENTRAL THERMOSTAT**  
**WITH VOLUME CONTROL**  
**TRIM KIT**

**Installation**  
**Instructions**  
**T420.74X**  
**Series**



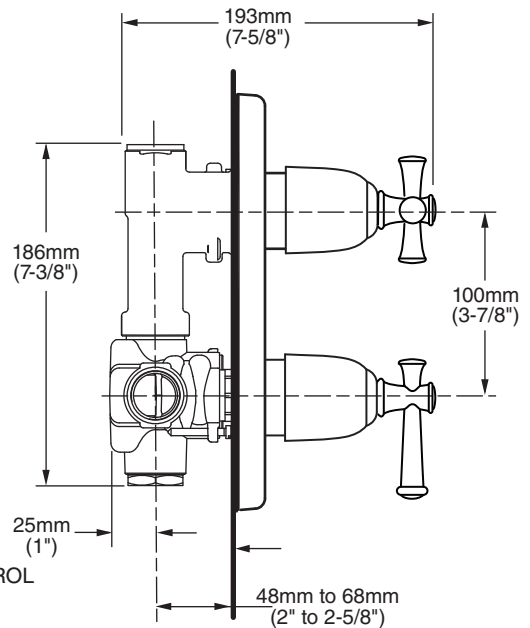
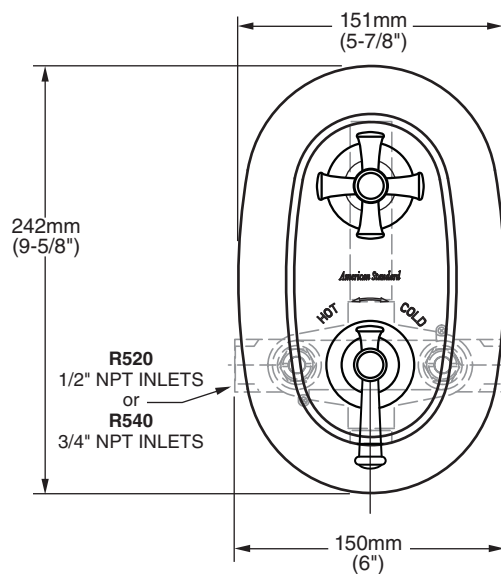
*Thank you for selecting American-Standard...the benchmark of fine quality for over 100 years.*

*To ensure that your installation proceeds smoothly—please read these instructions carefully before you begin.*

Certified to comply with ANSI A112.18.1M  
ASSE 1016

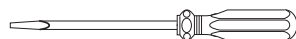
M965029 REV.1.3

**ROUGHING-IN DIMENSIONS**



NOTE: FITTING  
MUST BE INSTALLED  
WITH VOLUME CONTROL  
ON TOP.

**Recommended Tools**



Flat Blade Screwdriver



Phillips Screwdriver

**CARE INSTRUCTIONS:**

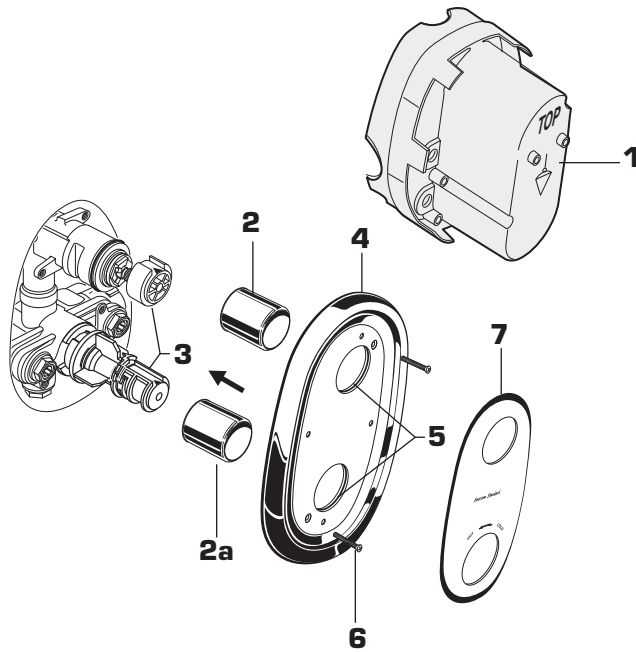
- To keep your new faucet looking new, please follow these simple care instructions:
  - DO:** ■ Simply rinse the faucet clean with clear water.  
■ Dry the faucet with a soft cotton cloth.
  - DO NOT:**
    - Do not use any abrasive cleaners, cloths, or paper towels.
    - Do not use any cleaning agents containing acids, polish abrasives, or harsh cleaners or soaps.
- Regular and routine cleaning will reduce the need for heavy cleaning and polishing. If heavy cleaning is required, the following procedures are recommended:

- Remove as much surface dirt and film using clear water and soft cotton cloth (as described above).
  - Use any of the following to remove tough surface film and build-up:
    - Mild liquid detergents
    - Clear ammonia free liquid glass cleaners
    - Non-acidic, non-abrasive gentle liquid or fully dissolved powder cleansers mixed according to manufacturers directions.
    - Non-abrasive liquid polishers
- Once clean, rinse faucet again with clear water to thoroughly remove cleaner or polish and blot dry with a soft cotton cloth.

***Failure to follow these care instructions may damage the Faucet's finish.***

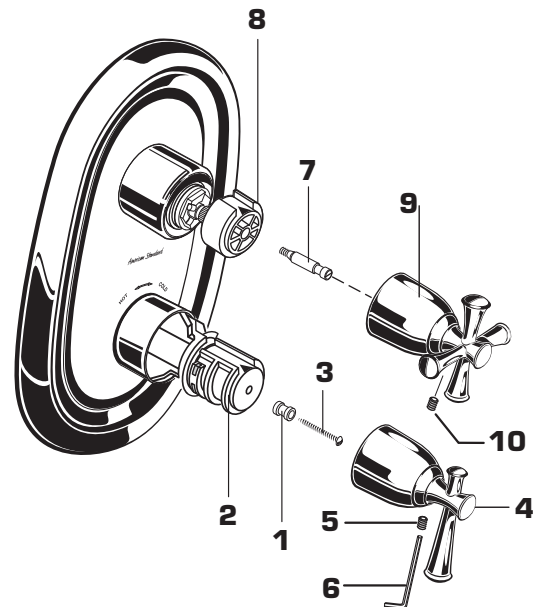
# 1 TRIM INSTALLATION

- Remove PLASTER GUARD **(1)** if attached.
- Push CAPS **(2 & 2a)** as shown onto CONTROL VALVES **(3)**.
- Push ESCUTCHEON **(4)** with lightly greased O-RING SEALS **(5)** over CAPS **(2, 2a)**. Attach with the two SCREWS **(6)** provided.
- Align pins in back of DIAL PLATE **(7)** with holes in ESCUTCHEON **(4)** and push DIAL PLATE **(7)** into place.



# 2 INSTALL HANDLES

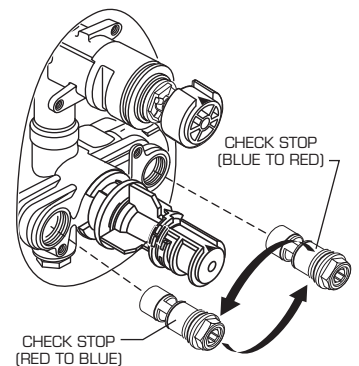
- Install HANDLE ADAPTER **(1)** onto HANDLE BASE **(2)** and tighten with SCREW **(3)**.
- Align HANDLE **(4)** and push onto HANDLE ADAPTER **(1)**.
- Tighten SET SCREW **(5)** in handle with HEX WRENCH **(6)** SUPPLIED.
- Install HANDLE ADAPTER **(7)** onto KNOB MOUNT **(8)**.
- Push VOLUME CONTROL KNOB **(9)** onto HANDLE ADAPTER **(7)**. Use HEX WRENCH **(6)** supplied and tighten SET SCREW **(10)** to secure VOLUME CONTROL KNOB **(9)**.



# 3 TRANSPOSED SUPPLY PIPING OR BACK TO BACK INSTALLATION

*Should the hot and cold water supply pipes have been transposed making adjustment impossible, proceed as follows:*

- Shut off water supply.
  - Remove handle and rim. (Reverse steps 1 and 2.)
  - Remove check stops and re-install them transposed.
- 
- Important note: RED CHECK STOP is now on the right of the mixer body and the BLUE CHECK STOP is now on the left.
  - Turn the water supply back on and perform the temperature adjustment in step 4.
  - Assemble HANDLES and TRIM.



## 4 TEMPERATURE ADJUSTMENT

- Loosen SET SCREW (1) with HEX WRENCH (2). Pull off HANDLE (3). Remove HANDLE SCREW (4) and HANDLE ADAPTER (5). Pull off HANDLE BASE (5).
- Check that arrow marking B points to the 3 o'clock position. If not, push the BLACK CLAMP on the SECURING RING to the right, pull off KNOB MOUNT (6) and reinstall KNOB MOUNT (6) with arrow "B" 3 o'clock position. *See Figure 1.*

### SET HOT LIMIT STOP

- The maximum mixed water temperature is set at 109°F at the factory. This setting can be changed if desired.
- Remove the TEMPERATURE LIMIT STOP (H shaped Black Plastic part). Reinstall it at the desired notch as indicated in the diagram to limit the maximum mixed water temperature to 104°F or 112°F.
- For 100°F adjustment, turn the water supply on. Turn KNOB MOUNT (6) until the spout temperature is 100°F. Check that arrow "A" on the KNOB MOUNT (6) still points 3 o'clock position after adjusting the thermostat to 100°F. If not, pull out the RED LOCKING DEVICE. Remove KNOB MOUNT (6) by pulling it towards you while standing directly in front of the valve.
- Reinstall the KNOB MOUNT (6) with arrow "A" 3 o'clock position.
- Reinstall RED LOCKING DEVICE.
- See step 2 for HANDLE (3) installation.

