

PENDLETON

TUB SPOUT WITH DIVERTER

SKU: 950713



FEATURES

1/2" Slip-fit connection

Material: Zinc

Assembly Required: No

Installation Type: Wall

CONTENTS

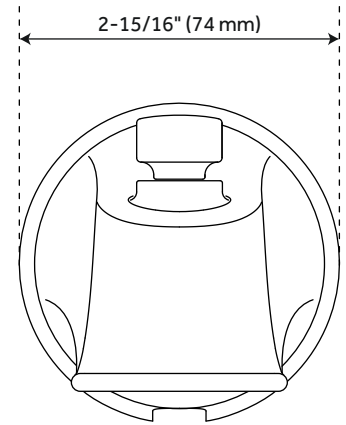
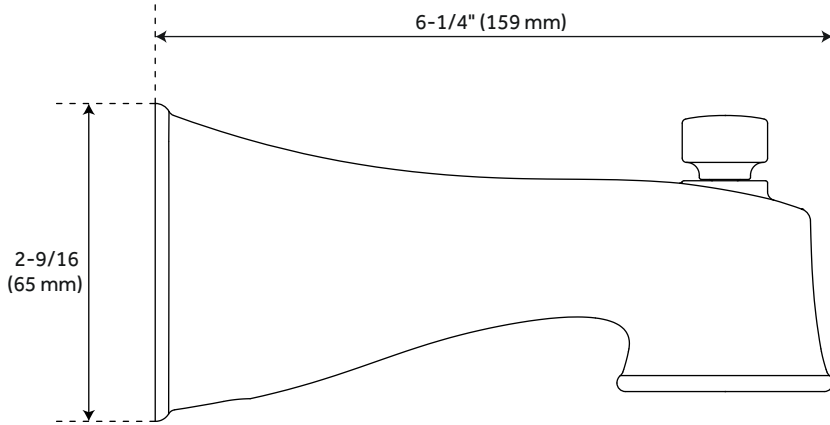
SPOUT PAGE 2

REVISED 01/21/2021

PENDLETON

TUB SPOUT WITH DIVERTER

SKU: 950713



FEATURES

- Base Plate Height: 2-15/16"
- Base Plate Width: 2-15/16"
- Tub Filler Spout Reach: 6-1/4"
- Slip-Fit Connection: 1/2"

CODES/STANDARDS

- cUPC
- ASME A112.18.1/CSA B125.1
- CEC Listed
- Massachusetts Accepted

PRODUCT IMAGE

