

# PENDLETON

## 4-HOLE ROMAN TUB FAUCET AND HAND SHOWER

SKU: 949847



### FEATURES

Design: Transitional  
Installation Type: Deck Mount  
Handle Type: Lever  
Number of Handles: 2  
Faucet Material: Brass  
Hand Shower Included: Yes  
Number of Spray Settings: 3  
Hand Shower Style: Multi Function  
Spout Swivel: No  
Hand Shower Material: abs  
Hand Shower Flow Rate: 1.8 gpm (6.8 L/min)  
@ 80 psi  
Tub Spout Flow Rate: 17.3 gpm (65.5 L/min)  
@ 80 psi  
Optional Rough-In Valve

### CONTENTS

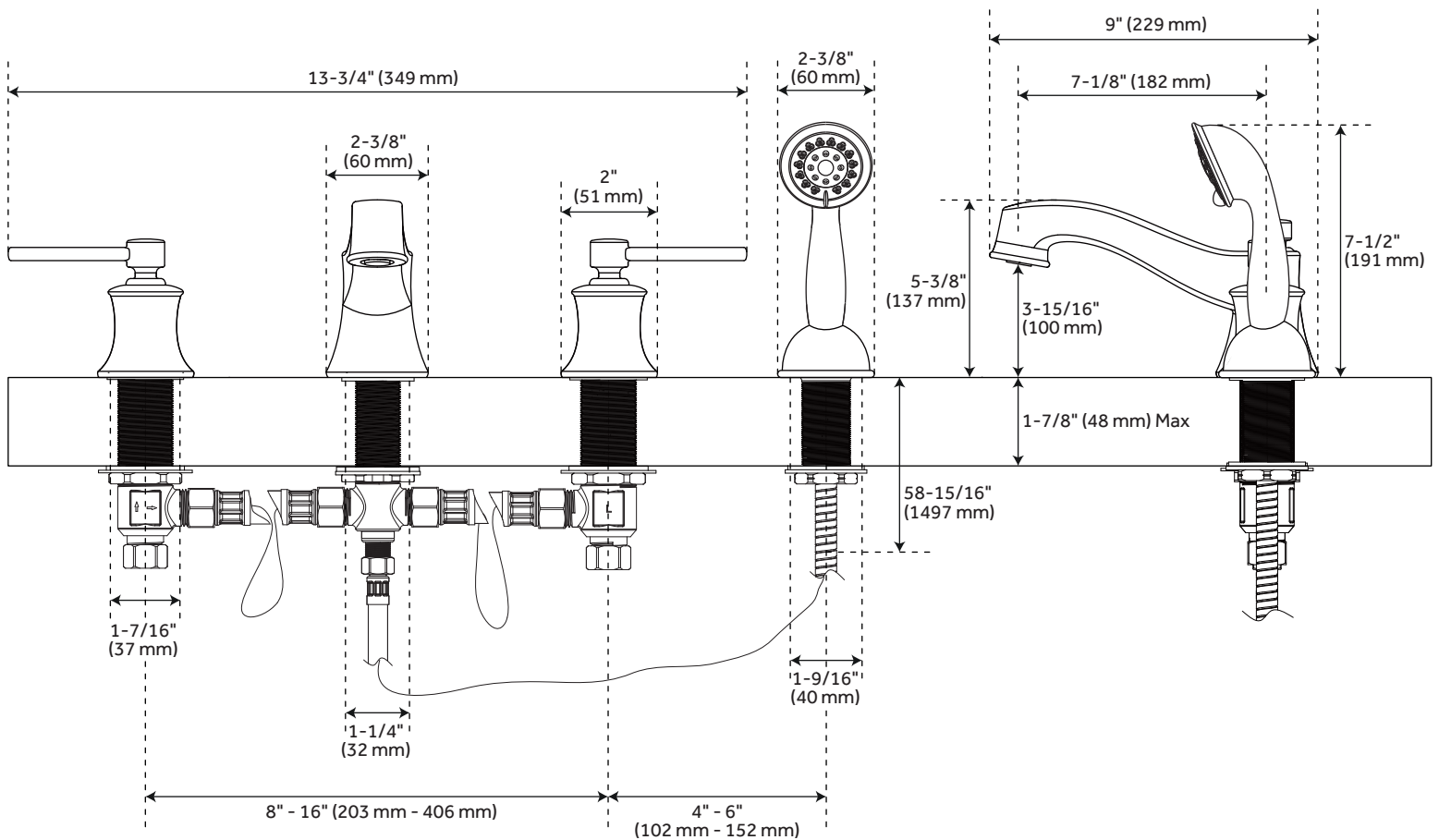
TUB FAUCET ..... PAGE 2  
ROUGH-IN VALVE ..... PAGE 3

REVISED 11/25/2020

# PENDLETON

## 4-HOLE ROMAN TUB FAUCET AND HAND SHOWER

SKU: 949847



### FEATURES

- Max. Countertop Thickness: 1-7/8"
- Length: 13-3/4"
- Width: 9"
- Height: 5-3/8"
- Hand Shower Height: 7-1/2"
- Height To Spout: 3-15/16"
- Spout Reach: 7-1/8"

### CODES/STANDARDS

- cUPC
- ASME A112.18.1/CSA B125.1
- ASME A112.18.3
- WaterSense
- CEC Listed
- Massachusetts Accepted

### PRODUCT IMAGE



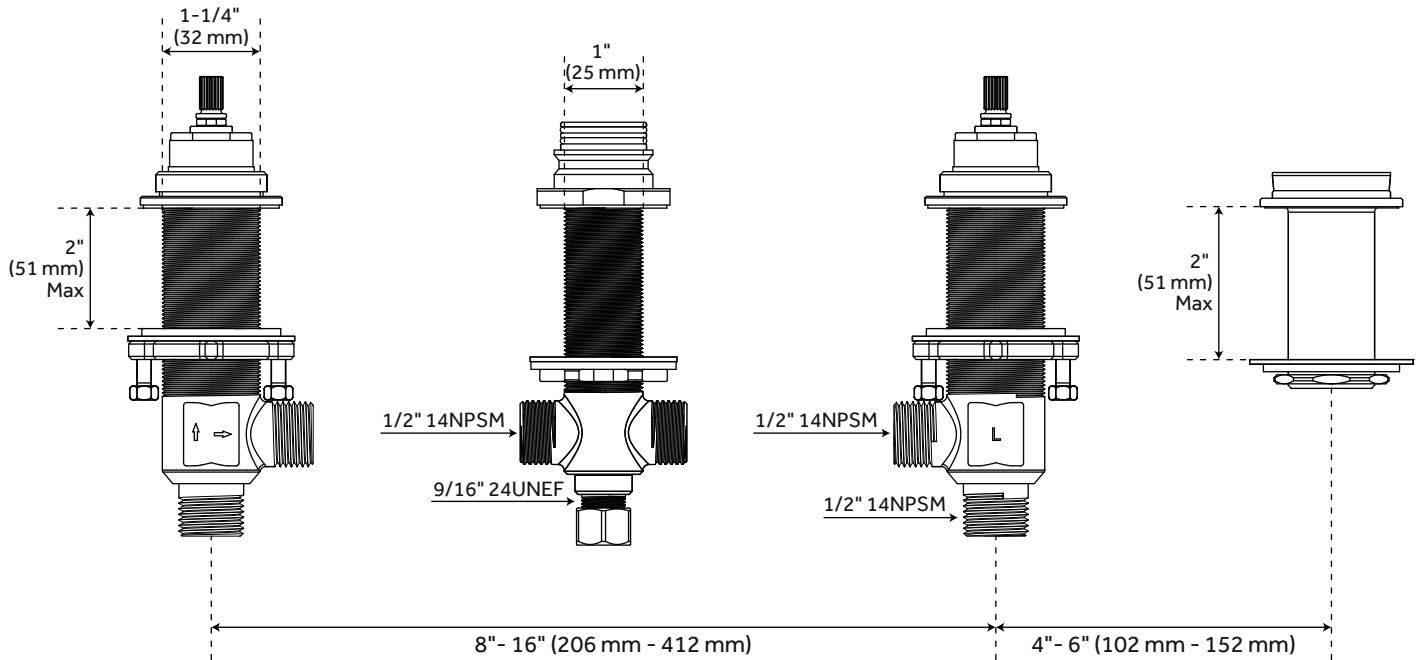
All dimensions and specifications are nominal and may vary. Use actual products for accuracy in critical situations.

PAGE 2  
Code: SHPT4RTG

# PENDLETON

## OPTIONAL 4-HOLE ROMAN TUB FAUCET ROUGH-IN VALVE

SKU: 949847



### FEATURES

- 4-Hole Installation
- Brass Coupling Nut
- Flow Rate: 8 GPM at 20 PSI
- Deck Thickness Max: 1.5" or Screws can be Removed to Accommodate Thicker Deck Installations Up to 2"
- Replacement Cartridges Available - HOT MIR3357027H and COLD MIR3357027C

### CODES/STANDARDS

- cUPC
- ASME A112.18.1/CSA B125.1
- Massachusetts Accepted

### PRODUCT IMAGE



All dimensions and specifications are nominal and may vary. Use actual products for accuracy in critical situations.

PAGE 3  
Code: SH674164