

# PFXC7011

## ORVIS SINGLE HANDLE PULL-DOWN KITCHEN FAUCET



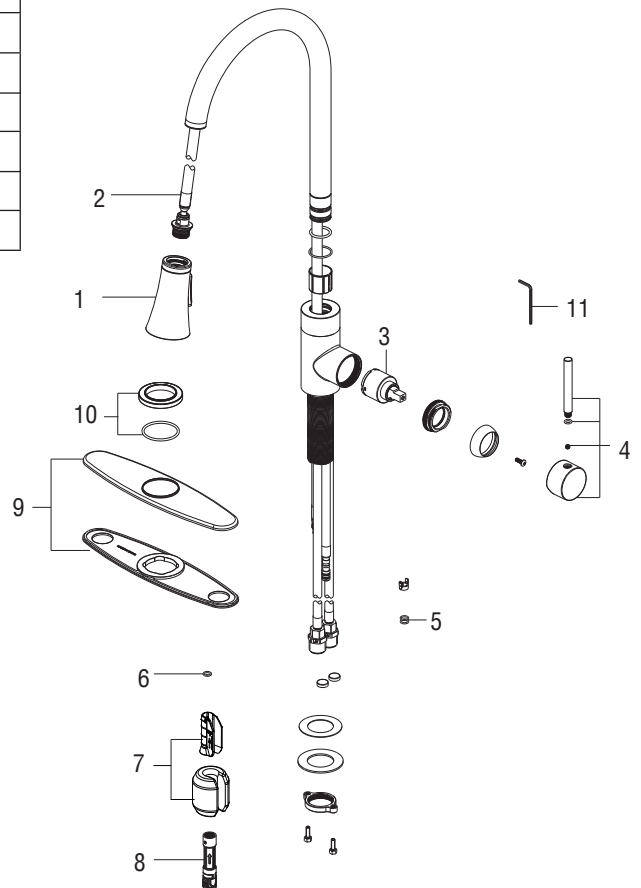
### Model Numbers

PFXC7011CP	Chrome
PFXC7011ZBN	Brushed nickel
PFXC7011MB	Matte black

No.	Item	Part Number	Material Type
1	Sprayhead	OBPF638214*	ABS
2	Hose	OBPF870462	Nylon_Briad
3	Cartridge	OBPF220005	Ceramic
4	Handle assembly	OBPF717126*	Zinc alloy
5	O-ring	OBPF60002	Rubber
6	O-ring	OBPF60024	Rubber
7	Weight & Weight clip	OBPF7052564204	Steel
8	Quick connector	OBPF670479	POM
9	Deck plate assembly	OBPF180427*	Steel
10	Flange assembly	OBPF1F80040*	Zinc alloy
11	2.5mm Hex allen wrench	OBPF1RP70221	Steel



PFXC7011CP



### Warranty and Codes

This product comes complete with installation, operating, care and maintenance instructions. This PROFLO faucet carries a limited lifetime warranty when installed in residential applications. The warranty is five years in commercial applications. This product meets: ASME A112.1 8.1.

