

PROVINCETOWN

FREESTANDING TUB FAUCET WITH HAND SHOWER

SKU: 948664



FEATURES

- Installation Type: Freestanding
- Faucet Centers: Single-Hole
- Handle Type: Lever
- Features: Hand Shower Included
- Tub Faucet Material: Brass
- Handle Material: Metal
- Hot and Cold Indicators: No
- Drain Included: No
- Ceramic Disc Cartridges: Yes
- Hand Shower Material: Zinc
- Tub Spout Flow Rate: 10.7 gpm (40.5 L/min)
@ 80 psi
- Hand Shower Flow Rate: 1.8 gpm (6.8 L/min)
@ 80 psi
- Single Function Hand Shower (Full Spray)
- Integral Diverter to Hand Shower
- Hand Shower Includes Factory Installed
Backflow Prevention Check Valve
- Optional Rough-In Valve Includes Stops
- Underfloor Access is Required for Proper
Installation
- Installation on an Existing Concrete Slab will
Require Cutting and Concrete Removal

CONTENTS

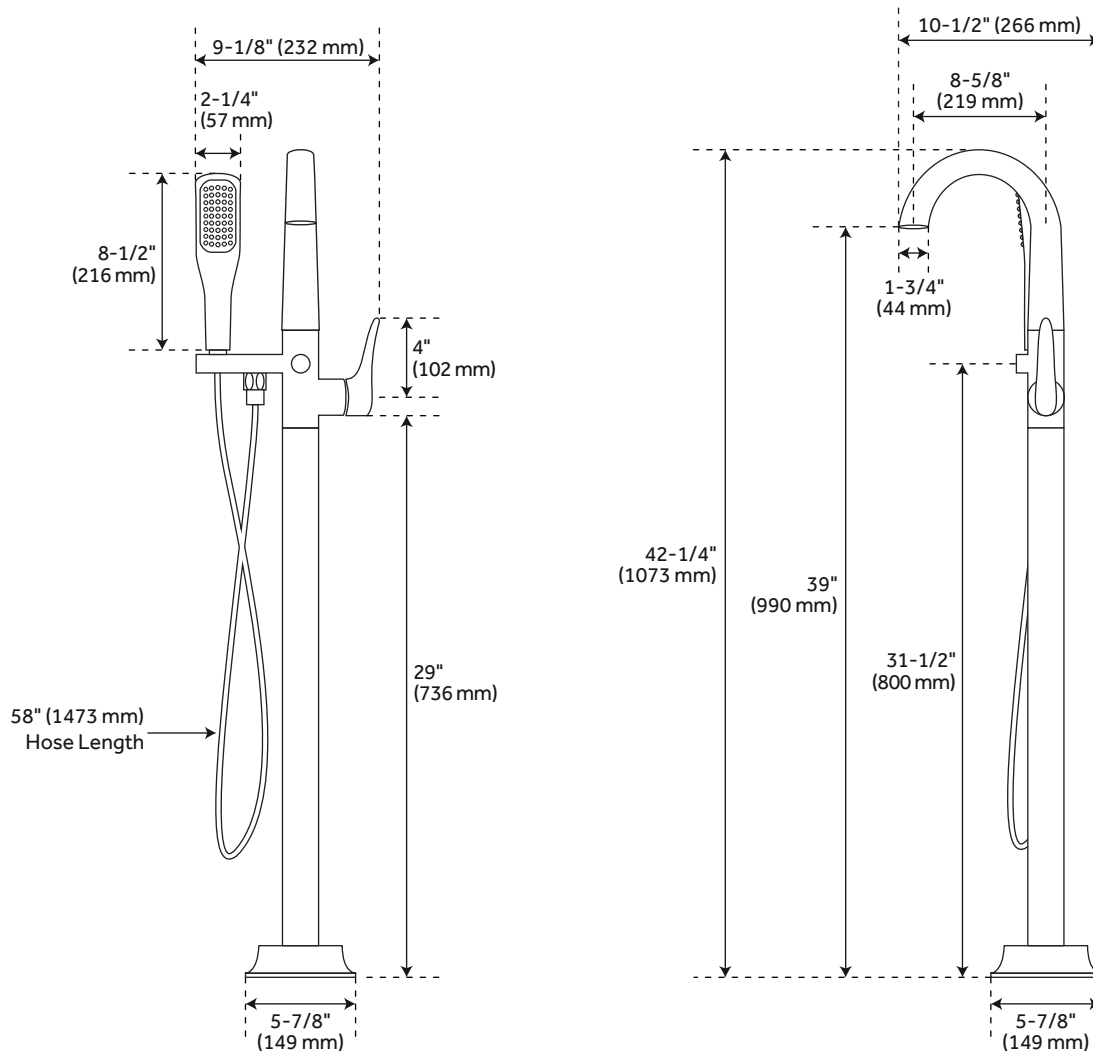
TUB FAUCET	PAGE 2
VALVE	PAGE 3

REVISED 11/30/2020

PROVINCETOWN

FREESTANDING TUB FAUCET WITH HAND SHOWER

SKU: 948664



FEATURES

- Length: 9-1/8"
- Width: 10-1/2"
- Height: 42-1/4"
- Height To Spout: 39"
- Height to Control Valve: 31-1/2"
- Spout Reach: 8-5/8"
- Spout Width: 1-3/4"
- Base Plate Diameter: 5-7/8"
- Hand Shower Hose Length: 58"

CODES/STANDARDS

- cUPC
- ASME A112.18.1/CSA B125.1
- ASME A112.18.3
- WaterSense
- CEC Listed
- Massachusetts Accepted

PRODUCT IMAGE



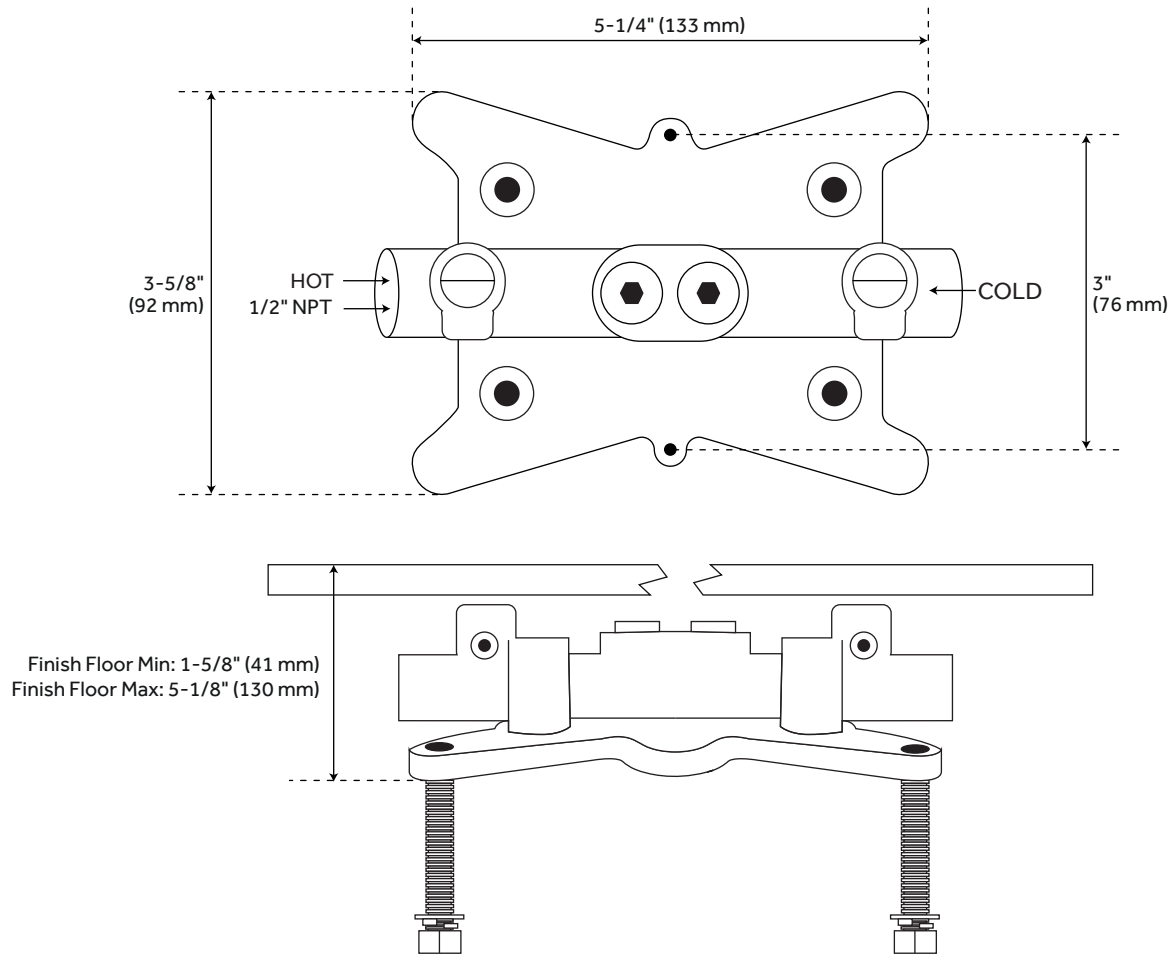
All dimensions and specifications are nominal and may vary. Use actual products for accuracy in critical situations.

PAGE 2
Code: SHPRFS2000G

PROVINCETOWN

OPTIONAL FREESTANDING TUB FAUCET ROUGH-IN VALVE

SKU: 948664



FEATURES

Material: Brass
Length: 5-1/4"
Width: 3-5/8"
Height: 5-1/8"
NPT Connection: 1/2"

CODES/STANDARDS

cUPC
ASME A112.18.1/CSA B125.1
Massachusetts Accepted

PRODUCT IMAGE



All dimensions and specifications are nominal and may vary. Use actual products for accuracy in critical situations.

PAGE 3
CODE: SHFSR2000WS