

PFTSWEC1000 / PFTSWEC2000



Molded Wood Toilet Seats with Easy Clean

Product Features

- Durable, high quality molded wood construction
- Available in round or elongated
- Closed front with cover
- Plastic top mount concealed hinge with slip resistant pads and heavy duty bolts
- Easy installation
- Large, color matched bumpers
- Multi-coat enamel finish
- New slide-off hinge for easy cleaning

Product Specifications

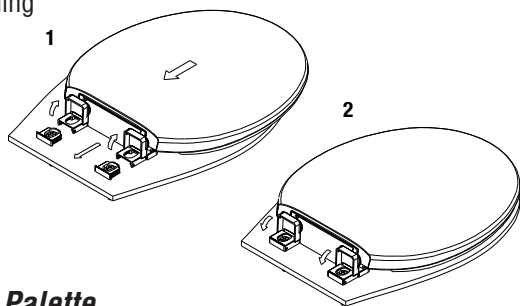
- Ring Thickness: 18 mm / .75"
- Ring Thickness including the bumper is: 26 mm / 1"
- Height of seat with cover is: 55mm / 2.25"



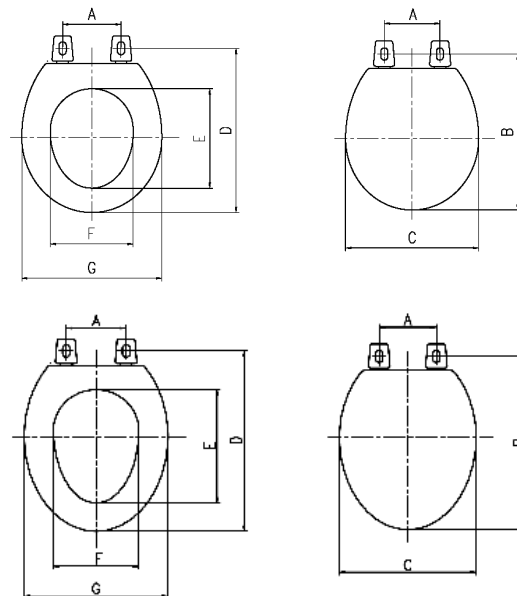
PFTSWEC1000



PFTSWEC2000



Product Specifications



Color Palette

- White (WH)
- Biscuit (BS)

Model Numbers

- PFTSWEC1000** Round front wood toilet seat with easy clean
- PFTSWEC2000** Elongated wood toilet seat with easy clean

Model Numbers	A	B	C	D	E	F	G
PFTSWEC1000 Round front	5 1/2"	16 5/8"	14"	16 3/4"	10 5/16"	8 5/16"	14 3/16"
PFTSWEC2000 Elongated front	5 1/2"	18 9/16"	13 5/16"	18 3/4"	11 5/8"	8 1/2"	14 1/8"

Warranty and Codes

PROFLO toilet seats carry a 1-year limited warranty. In an effort to continually improve our products, We will make design changes from time to time. We reserve the right to ship newly designed product to fill any order unless we agree in writing to do otherwise.