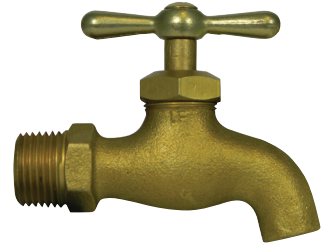


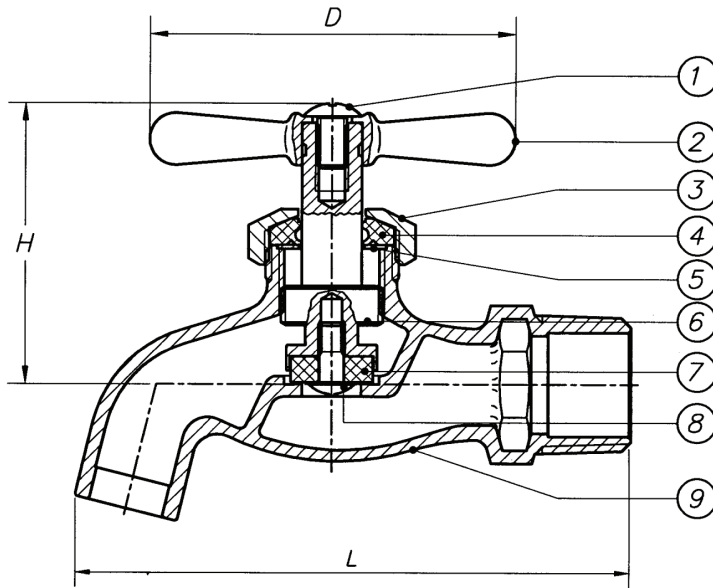
SUBMITTAL DATA SHEET

No-Lead Low Pressure Valves
Hose Bibb - No Thread - 72002NT

MNPT X Plain End



A.Y. McDonald Mfg. Co. No-Lead Low Pressure Valves are constructed from heavy duty no-lead brass and are recommended for residential and commercial applications and positive shut-off with various inlet configurations.



Dimensions

Size	D	H	L
1/2"	2.20	1.69	3.27
3/4"	2.20	1.69	3.33

Materials

No.	Part	Material
1	Handle Bolt	Steel
2	T-Handle	Zinc
3	Bonnet	No-Lead Brass
4	Gland Packing	Rubber
5	Washer	Stainless Steel
6	Stem	No-Lead Brass
7	Seat Packing	Rubber
8	Seat Screw	No-Lead Brass
9	Body	No-Lead Brass

SUBMITTAL INFORMATION

- 125 WOG
- Sizes: 1/2", 3/4"
- 1/2" is MNPT or SWT Combination

NO-LEAD: The weighted average of the wetted surface of this no-lead product contacted by consumable water contains less than one quarter of one percent (0.25%) lead.



A.Y. McDonald Mfg. Co.
P.O. Box 508
Dubuque, IA 52004-0508

Toll Free: 1-800-292-2737
Fax: 1-800-832-9296
Hours: 7:00 a.m. - 5:00 p.m., CST

sales@aymcdonald.com
www.aymcdonald.com

A.Y. McDonald considers the information on this assembly drawing correct when published. Item and option availability, including specifications, are subject to change without notice.

Submitted by: