

Specifications

PFWSC8881 ORRS SINGLE HANDLE LAVATORY FAUCET



Product Features

- Brass construction
- Ceramic disc cartridge
- Max. flow rate: 1.2 gpm at 60 psi
- Single-hole installation
- 50/50 Pop-up
- Meets ASME A112.18.1
- NSF 61 compliant
- cUPC/IAPMO listed
- ADA Compliant



PFWSC8881CP

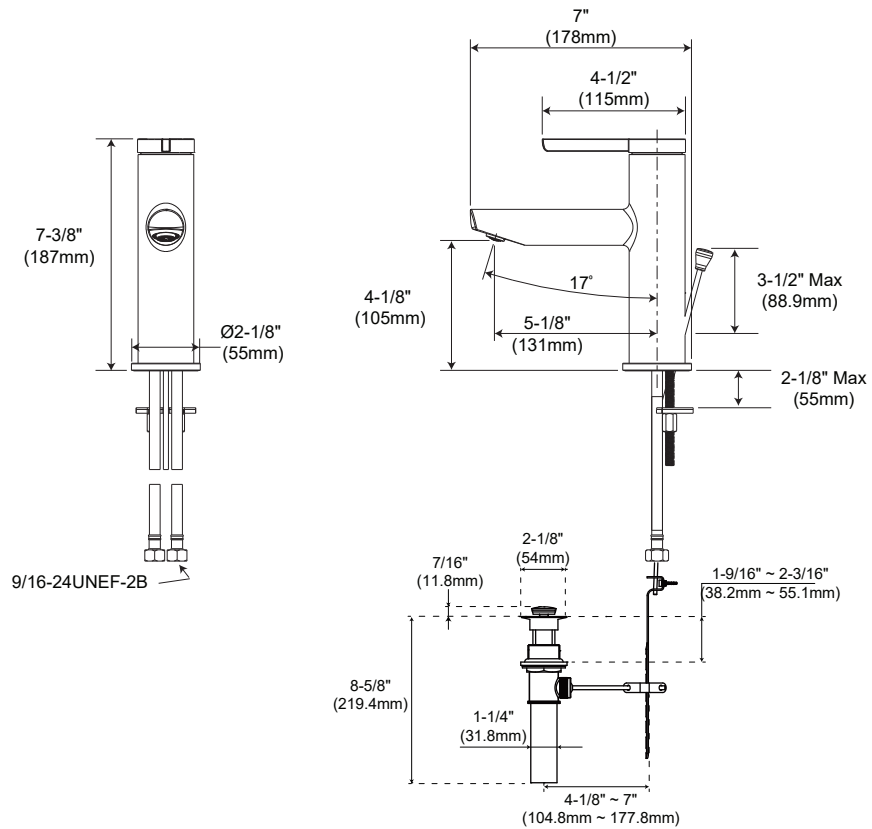
Model Numbers:

- PFWSC8881CP Chrome
- PFWSC8881ZBN Brushed nickel
- PFWSC8881MB Matte black

Optional Parts

- OBPF11131102610* Deck plate

Product Specifications



* All measurements are nominal. Please verify before actual installation.

Warranty and Codes

This product comes complete with installation, operating, care and maintenance instructions. This PROFLO faucet carries a limited lifetime warranty when installed in residential applications. The warranty is five years in commercial applications. This product meets ASME: A112.18.1. *Compliant with lead content requirements of US Senate Bill S.3874*



PROFLO.COM