

Petra 5

Model # MTCS-732

47.5" x 14.125" x 5.125"



Petra 5 is a single-drain vessel sink.

Installation: vessel-style or undermount

Lead Time - 10 Business Days

SINK AND OPTIONS PRICING

Part # MTCS-732 \$1,060

Standard Colors - Choose from White or Biscuit in matte finish

Gloss Finish Upcharge - Part # SSGLOSSSNK \$195

Other colors available for projects only. Please call MTI.

Quick Ship/Priority - Part # QUISISNKSH \$175 *Call for availability.*

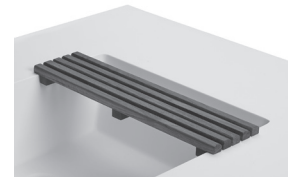
Drain Kits - see p. F-32 for available models.

Teak Sink Tray - \$145 choose from:

Slatted - Part # TKST1 (shown)

Solid - Part # TKST2

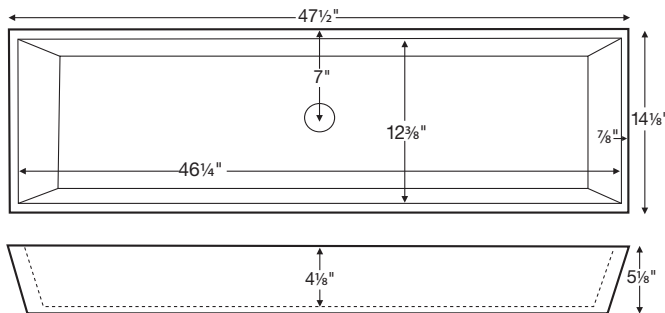
- Can be used as a resting place for grooming articles and toiletries.
- Constructed of the finest grades of genuine teak*.
- Handcrafted and milled in the USA.



*Slatted sink tray shown.
See mtibaths.com for Solid version.*

*Environmentally Responsible

MTI uses only 100% U.S.-certified legal, reclaimed, sustainable teak. A replacement tree is planted 20 years before a tree is harvested. The teak used in MTI products is imported from reputable suppliers bordering Myanmar. MTI suppliers observe all international laws regarding labor and conservation. All of the teak used by MTI is harvested from reclaimed forests and is absolutely not endangering or depleting rain forests.



CONSTRUCTION AND STANDARD FEATURES

- Single-bowl design; 1.5" drain opening.
- Sink has no overflow. Requires vessel-style drain kit without overflow. Check local codes.
- One-piece construction using Engineered Solid Stone (ESS) material, which is solid through and through.
- ESS is a mixture of ground natural materials and binding agents that are liquefied, poured and then hardened.
- This material is non-porous, stain-, mold- and mildew-resistant, making cleaning and maintenance easy.
- Approximately 65% of the material is organic, including minerals mined from the earth, making it "Green".
- Same material and color all the way through, with minor variations due to use of natural minerals.
- 1.5" drain opening.
- Five-Year Limited Residential Warranty.
- Shipping weight: 67 lbs.

NOTES:

- Measurements are $\pm 1/2"$ and are subject to change without notice. Data herein supersedes all previous prior to publication date indicated below.
- Undermount installation may require additional bracing and is the responsibility of the installer.

Also available, **Petra Counter-Sink**, featuring custom-size countertop with integrated bowl. Choose from 8 bowl variations. Petra Counter-Sink 5 shown below, available only as a single bowl. See model overview on page F-35.

