

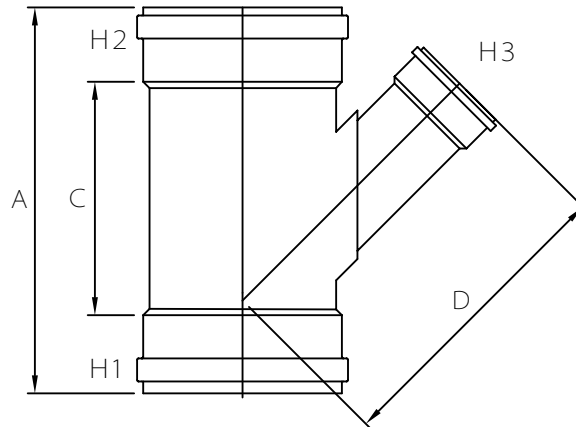


MULTI FITTINGS

LAYING LENGTH

ISSUE DATE: OCT 30/17
SUPERCEDES: SEPT 14/07

45° WYE (GxGxG)



FABRICATED FITTING (F)

	SIZE H1xH2xH3	PART NUMBER	A REF	C REF	D REF
F @	10x10x8	067251	36.000	-	21.500
F @	10x10x10	067210	-	-	-
F @	12x12x8	067254	36.000	-	21.250
F @	12x12x10	067258	36.000	-	24.000
F @	12x12x12	067253	-	-	-
F @	15x15x4	067259	39.000	-	18.000
F @	15x15x6	067255	39.000	-	21.500
F @	15x15x8	067257	39.000	-	23.500
F @	15x15x10	067271	39.000	-	24.000
F @	15x15x12	067272	45.000	-	29.000
++ F @	15x15x15	067205	47.000	-	32.000
F @	18x18x4	067273	43.000	-	21.000
F @	18x18x6	067275	43.000	-	24.000
F @	18x18x8	067276	43.000	-	26.000
F @	18x18x10	067270	46.000	-	29.000
F @	18x18x12	067269	51.000	-	28.000
F @	18x18x15	067274	-	-	-
++ F @	18x18x18	067203	63.000	-	40.500
F @	21x21x4	067088	40.000	-	23.000
F @	21x21x6	067019	44.000	-	26.250

NOTE: @ Refer to Page HW5 for Hub Detail, Fabricated
++ FRP Reinforced