

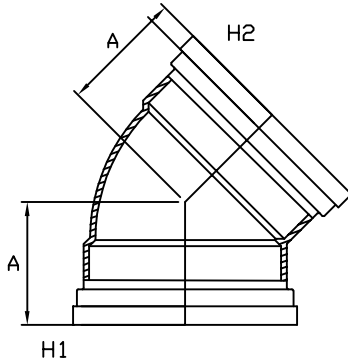


MULTI FITTINGS

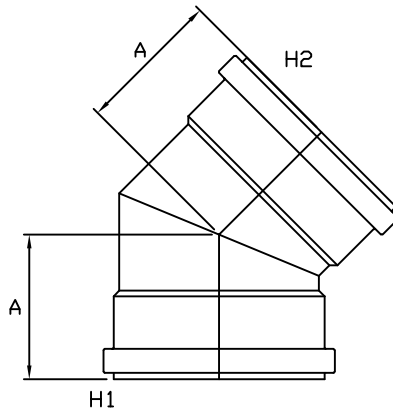
# LAYING LENGTH

ISSUE DATE: OCT 30/17  
SUPERCEDES: SEPT 14/07

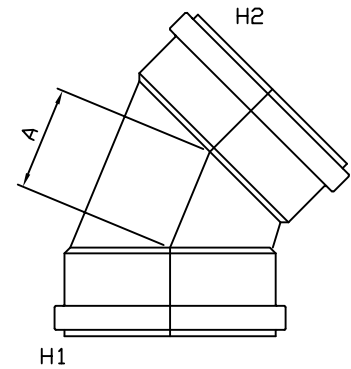
## 45° ELBOW (GxG) (1/8 BEND)



INJECTION MOLDED FITTING (M)



FABRICATED FITTING (F)



FABRICATED FITTING (F1)

	SIZE H1xH2	PART NUMBER	A REF
M =	4x4	067324	3. 500
M =	6x6	067326	4. 625
M =	6x6 LONG	067014	5. 500
M =	8x8	067328	5. 500
F	10x10	067330	-
F @	12x12	067331	11. 000
F1 @	15x15	067335	10. 000
F1 @	18x18	067338	14. 250

NOTE: = Refer to Page HW4 for Hub Detail, Type A  
@ Refer to Page HW5 for Hub Detail, Fabricated