

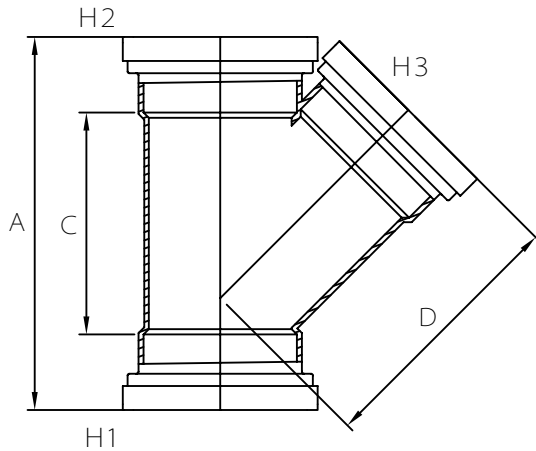


MULTI FITTINGS

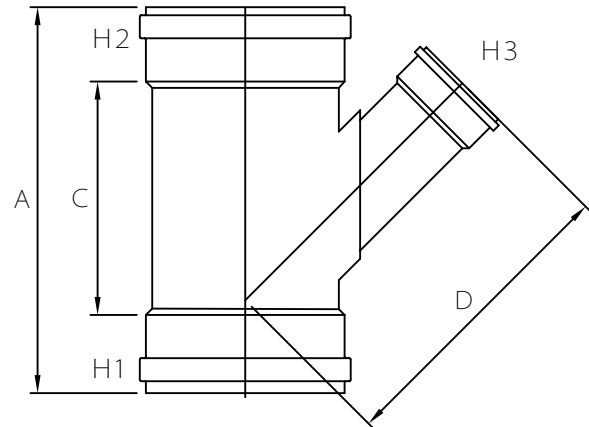
# LAYING LENGTH

ISSUE DATE: OCT 30/17  
SUPERCEDES: MAR 11/05

## 45° WYE (GxGxG)



INJECTION MOLDED FITTING (M)



FABRICATED FITTING (F)

	SIZE H1xH2xH3	PART NUMBER	A REF	C REF	D REF
<>M=	18x18x4	143903	21.625	10.500	21.125
M=	18x18x6	143904	21.625	10.500	17.875
F @	18x18x8	043902	40.000	17.500	25.000
F @	18x18x10	043362	43.000	20.500	30.000
F @	18x18x12	043363	48.000	25.500	31.000
++F @	18x18x15	043901	58.000	35.500	36.000
++F @	18x18x18	043900	62.000	39.500	41.000
F @	21x21x4	043899	40.000	14.800	23.000
F @	21x21x6	043898	48.000	22.800	26.250
F @	21x21x8	043897	48.000	22.800	26.000
F @	21x21x10	043896	48.000	22.800	30.000
F @	21x21x12	043895	60.000	34.800	30.000
++F @	21x21x15	043894	68.000	42.800	37.000
++F @	21x21x18	043893	68.000	42.800	48.000
++F @	21x21x21	043467	68.000	42.800	46.000

Note: = Refer to Page G4 for Hub Detail, Type A

@ Refer to Page G5 for Hub Detail, Fabricated

++ FRP Reinforced

<> 4" Deep hub