



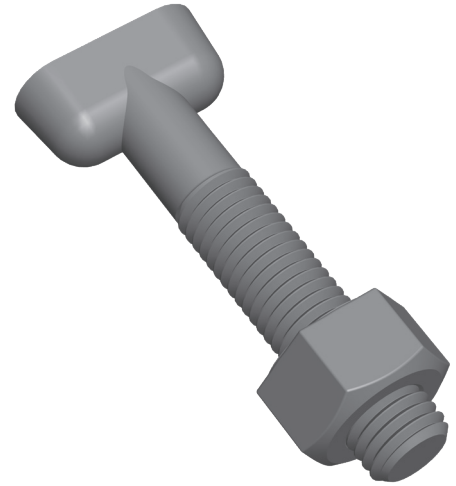
### T-HEAD BOLTS

#### Product Features

- Manufactured from Low Alloy Steel
- PROSELECT T-Head Bolts conform to ASTM AWWA C111/A21.11

#### Product Specifications

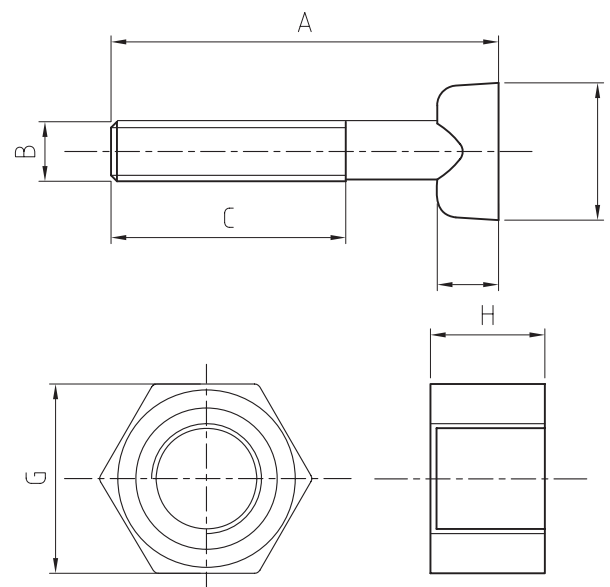
Model Number	Size	Bucket Quantity
PSMJTHBNEM	5/8" X 3"	120
PSMJTHBNFN	3/4" X 3-1/2"	85
PSMJTHBNFP	3/4" X 4"	70
PSMJTHBNFR	3/4" X 4-1/2"	65
PSMJTHBNFS	3/4" X 5"	60
PSMJTHBNFU	3/4" X 6"	55
PSMJTHBNFW	3/4" X 7"	45
PSMJTHBNGU	1" X 6"	25



#### TOLERANCES UNLESS OTHERWISE SPECIFIED

	INCHES	METRIC
DECIMALS	.X ±0.1 .XX ±0.01 .XXX ±0.005	X ±0.5 .X ±0.2 .XX ±0.1
FRACTIONS	±1/16 ANGLE±0.5°	ANGLE±0.5°

Model Number	A	B	C	G	H
PSMJTHBNEM	3-5/8"	3/4"	2-1/8"	1"	5/8"
PSMJTHBNFN	4-1/2"	3/4"	2-9/16"	1-1/4"	3/4"
PSMJTHBNFP	4-7/8"	3/4"	3"	1-1/4"	3/4"
PSMJTHBNFR	5-3/8"	3/4"	3-1/8"	1-1/4"	3/4"
PSMJTHBNFS	5-7/8"	3/4"	3"	1-1/4"	3/4"
PSMJTHBNFU	6-13/16"	3/4"	4-1/8"	1-1/4"	3/4"
PSMJTHBNFW	7-7/8"	3/4"	6-1/8"	1-1/4"	3/4"
PSMJTHBNGU	7-1/8"	1"	3-1/16"	1-5/8"	1"



#### Warranty and Codes

This PROSELECT product carries a 1-year limited warranty.

