

RIDGEWAY

SINGLE-HOLE PULL-DOWN KITCHEN FAUCET

SKU: 951732



FEATURES

Installation Type: Single-Hole
Faucet Holes: 1
Faucet Centers: Single-Hole
Handle Type: Lever
Features: Pull-Down
Design: Traditional
Faucet Material: Brass
Swivel Spout: Yes
Ceramic Disc Cartridges: Yes
Hot and Cold Indicators: No
Drain Included: No
Maximum Flow Rate: 1.75 gpm (6.6 l/min) @ 60 psi

CONTENTS

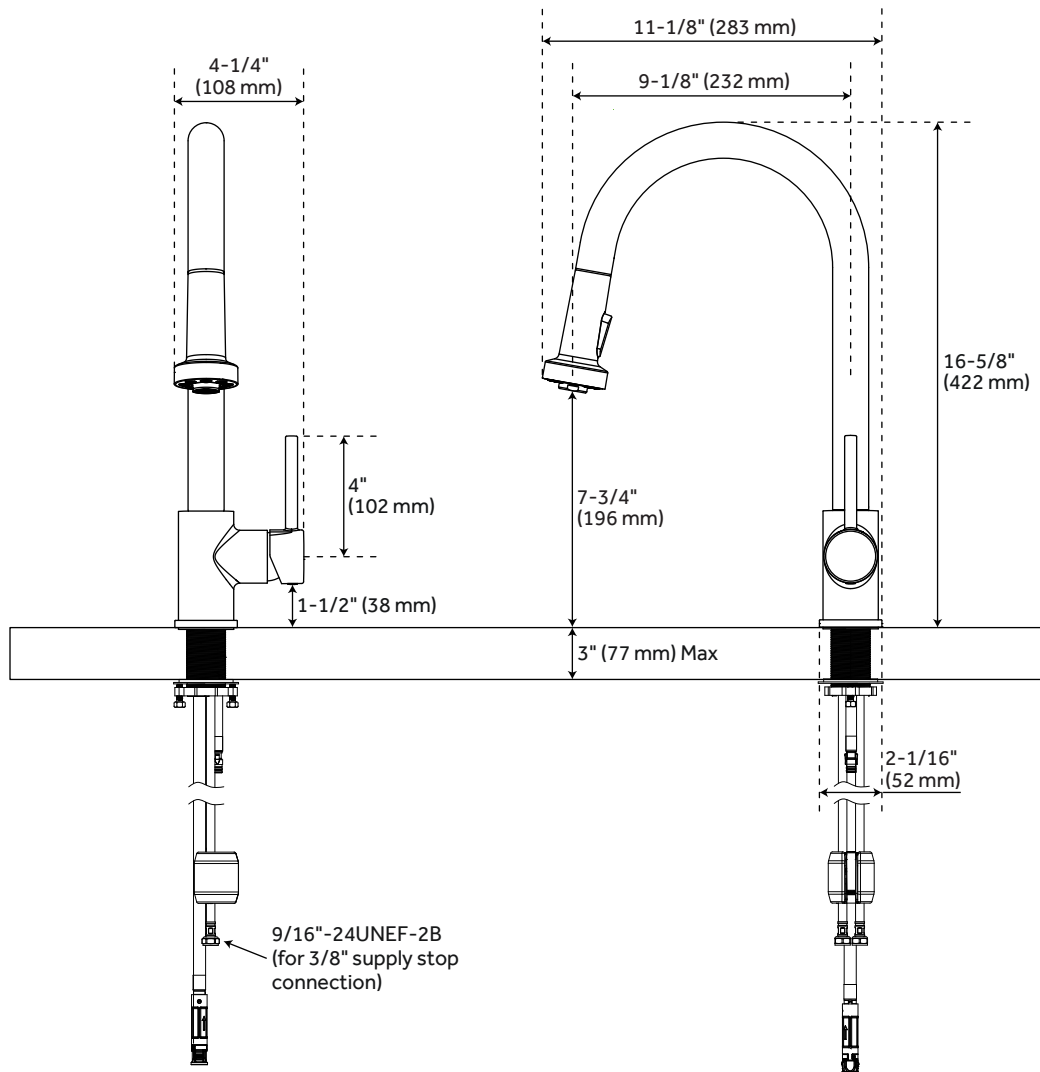
SINGLE-HOLE FAUCET PAGE 2

REVISED 05/18/2021

RIDGEWAY

SINGLE-HOLE PULL-DOWN KITCHEN FAUCET

SKU: 951732



FEATURES

Max. Countertop Thickness: 3"
Length: 4-1/4"
Width: 11-1/8"
Height: 16-5/8"
Height to Spout: 7-3/4"
Spout Reach: 9-1/8"
Base Plate Length: 2-1/16"
Base Plate Width: 2-1/16"
Handle Length: 4"
Height to Bottom of Handle: 1-1/2"
IPS: 9/16"

CODES/STANDARDS

cUPC
ASME A112.18.1/CSA B125.1
NSF/ANSI 61
NSF/ANSI 372
CEC Listed
CALGreen
Massachusetts Accepted

LISTED ID:

SHXCRD100



PRODUCT IMAGE



All dimensions and specifications are nominal and may vary. Use actual products for accuracy in critical situations.

PAGE 2
Code: SHXCRD100