

60" STRETCHABLE

METAL HAND SHOWER HOSE

SKU: 948938



FEATURES

- Double Spiral Construction
- Metal Conical Nut

CONTENTS

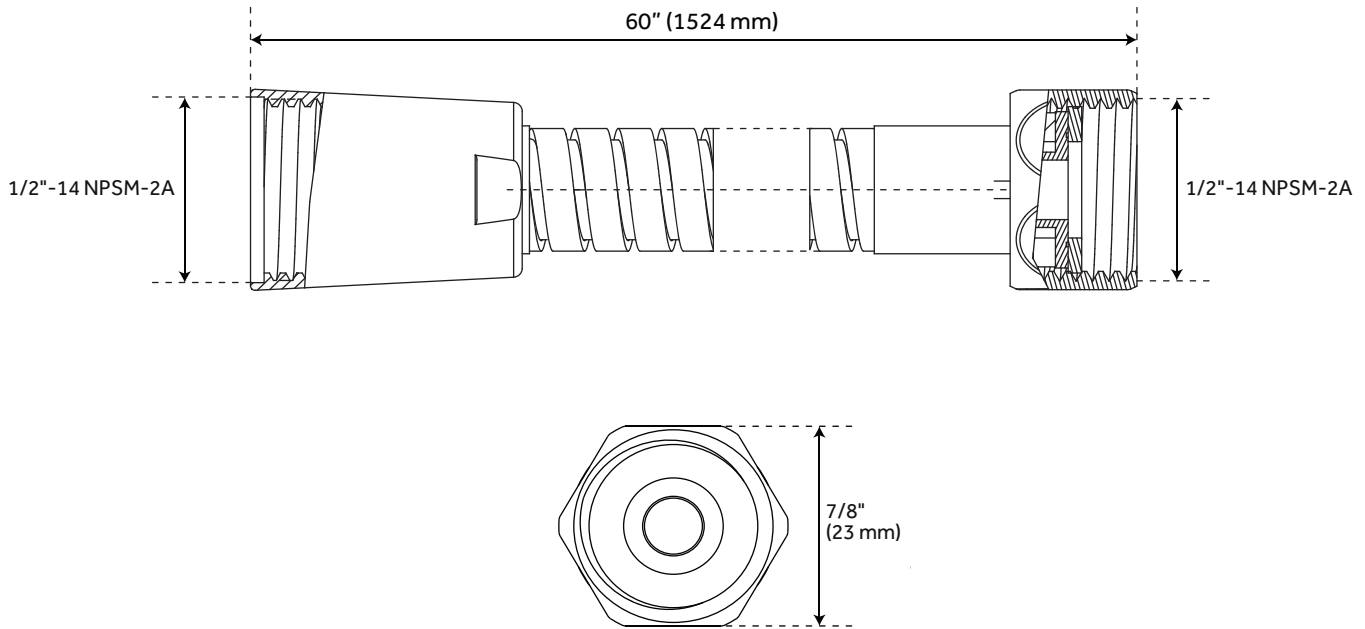
SHOWER HOSE PAGE 2

REVISED 04/09/2021

60" STRETCHABLE

METAL HAND SHOWER HOSE

SKU: 948938



FEATURES

Length: 60"
Connection: 1/2"-14 NPSM-2A

CODES/STANDARDS

cUPC
ASME A112.18.1/CSA B125.1
Massachusetts Accepted

PRODUCT IMAGE



All dimensions and specifications are nominal and may vary. Use actual products for accuracy in critical situations.

PAGE 2
Code: SHH1010