

Description

The Bio Disc filters are placed between the pump and dripfield to trap debris from entering the drip system.

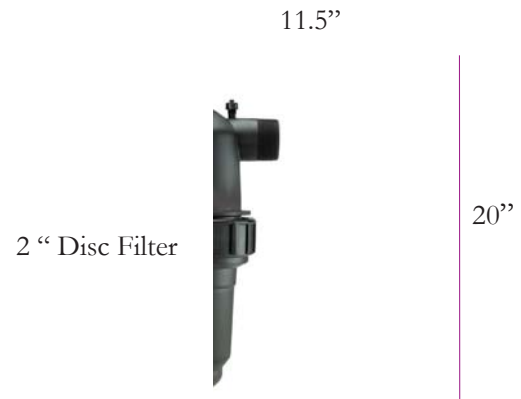
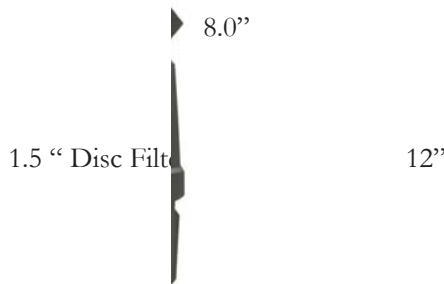
Features

Geoflow's disc filters are protected with anti bacteria. Designed for applications with high organics, the UltraFresh is molded into each disc to discourage unwanted growth on the filter element. A single filter can be placed in line, and requires manual cleaning.

Specification

The Bio Disc filter body and discs shall be molded of polyethylene resins. The disc shall include anti-bacterial compound to protect the filter element against slime build-up. Filtration shall be 120 mesh/130 micron. The two piece body shall be capable of being serviced by untwisting and shall include an O-ring seal. The seals shall be manufactured from Nitrilo rubber. The inlet and outlet shall be ____ inch MPT. The UF disc filter shall be part number UF Disc____ as supplied by Geoflow, Inc.

| Part No. | Inlet/Outlet diameter | Max Flow Rate per Filter | Max Pressure PSI | Max Temp (°F) | Length | Filtration Surface Area | Filtration Size | Weight lbs. |
|--------------|-----------------------|--------------------------|--------------------|---------------|--------|-------------------------|------------------------|-------------|
| UFDisc-150 | 1.5" | 30 gpm | 145psi 335ft. | 140 | 12" | 72.7 sq. in. | 120 mesh 130 micron | 3.3. |
| UF Disc- 200 | 2" | 60 gpm | 145 psi 335 ft. | 140 | 20" | 156.9 sq. in. | 120 mesh 130 micron | 13.2 |



Pressure Loss 1.5" Disc Filter

