

SYSTEM OVERVIEW

EnviroPure EPW Systems are self-contained, continual feed, organic food waste elimination systems that convert food waste into water. The technology uses a combination of mechanical processing, heat, oxygen and all-natural additives to accelerate the natural aerobic decomposition process. Organic waste is quickly reduced to a gray water effluent that can be safely disposed of into existing municipal waste water systems. EPW systems handle virtually any kind of food waste including vegetables, fruits, meat, fish and poultry, dairy products, bones, shells and pits, with complete decomposition typically occurring within 24 hours!

STANDARD FEATURES

- **UL® U.S. & Canadian Certified**
- Simple one-button on/off, fully automated “feed it and forget it” operation
- Automatic on/off interlock door safety switch
- High quality, heavy duty Gould, Emerson & Vaughan pumps and motors provide quiet operation and superior performance
- Front mounted controls and display panel provide quick and easy operation, troubleshooting, monitoring and reporting of system function
- Commercial grade stainless steel enclosure
- 10 different sizes to fit any size foodservice operation (custom models up to 3 tons/day capacity available)
- Same day installation. Standard 208/220V power requirements, cold water and waste water line hookup using standard PVC/copper fittings

- All natural, non-toxic, biodegradable EPW-BioMix additive catalyzes and accelerates naturally occurring biological decomposition processes
- Continual oxygenation of decomposition tank ensures fully aerobic decomposition process resulting in water and carbon dioxide bi-products
- Complete elimination of all solid food waste with absolutely NO odours, NO sludge build up and NO system cleanout required
- Gray water effluent bi-product meets standards for safe disposal into municipal waste water sewer systems

QUALITY MEASURED	MUNICIPAL LIMITS	ENVIROPURE
Biological Oxygen Demand (BOD)	300 mg / L	< 30 mg / L
Fats, Oils & Grease (FOGs)	150 mg / L	< 10 mg / L
Total Suspended Solids (TSS)	300 mg / L	< 30 mg / L

* Always confirm municipal waste water limits and requirements in your area

- System does **not** require connection to grease interceptor

OPTIONS & ACCESSORIES

- Remote Food Disposal Grinder System**
Commercial grade stainless steel foodservice food waste disposer integrated into your kitchen prep areas and/or dish line for remote feeding of food waste into system
- Custom Configured Chute / Scrap Table / Trough Feeder Systems**
- Interior / Exterior / Combination Install Configurations Available**
- Cold Weather Exterior Install Package**
Steel frame construction, galvanized siding, insulated enclosure, with heater & blower, feed/drain piping sleeves and electrical heat tape wrap for exterior installations in cold weather climates
- 3 Phase 600V Electrical Connection**

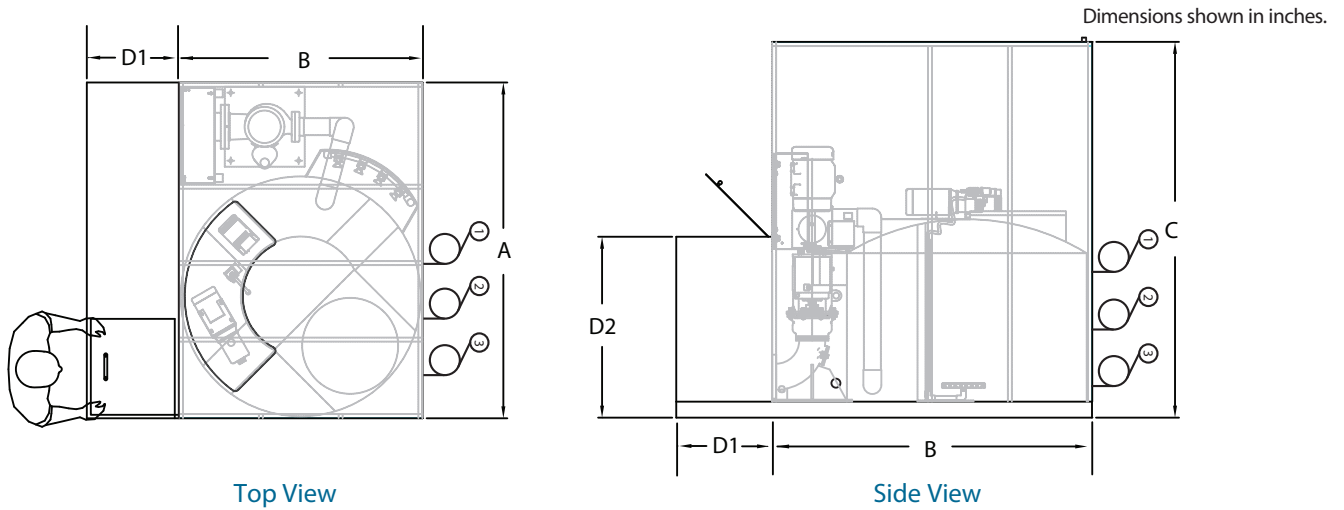


EnviroPure Systems Inc.

50 Saddleback Cove, Travelers Rest, SC 29690

tel: 1.888.324.7265

www.enviropuresystems.com



MODEL	CAPACITY		DIMENSIONS *					WEIGHT	CONSUMPTION	
	LBS	TONS	A	B	C	D1	D2	Empty	Water	Power Req
Systems	lbs/day	tons/mth	in	in	in	in	in	lbs	Gal/Hr	Amps-230/3Ph
EPW-120i	120	1.8	34	42	60	N/A	N/A	900	1.1	20
EPW-240i	240	3.6	34	54	83	N/A	N/A	1000	2.0	30
EPW-360i	360	5.4	48	60	83	N/A	N/A	1400	3.0	30
EPW-480i	480	7.2	52	66	83	N/A	N/A	2200	4.0	30
EPW-600i	600	9.0	60	76	83	N/A	N/A	2300	5.0	30
EPW-720i	720	10.8	76	94	88	N/A	N/A	2500	6.0	40
EPW-1000i	1000	15.0	76	94	93	N/A	N/A	2600	7.9	40
EPW-1500i	1500	22.5	94	108	93	N/A	N/A	2700	11.8	40
EPW-2000i	2000	30.0	106	118	102	N/A	N/A	3000	15.8	40
EPW-240GT	240	3.6	52	54	83	24	39	1500	2.0	40
EPW-360GT	360	5.4	52	60	83	24	39	1900	3.0	40
EPW-480GT	480	7.2	52	66	83	24	39	2700	4.0	40
EPW-600GT	600	9.0	60	76	83	24	39	2800	5.0	45
EPW-720GT	720	10.8	76	90	88	24	39	3000	6.0	45
EPW-1000GT	1000	15.0	76	90	93	24	39	3100	7.9	45
EPW-1500GT	1500	22.5	94	108	93	24	39	3200	11.8	45
EPW-2000GT	2000	30.0	106	120	102	24	39	3500	15.8	45
EPW-3000GT	3000	45.0	110	120	110	24	39	3700	19.0	45

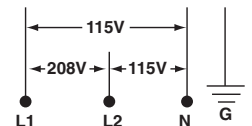
* Dimensions noted in chart are footprint guidelines. All systems are custom manufactured per customer specifications.

Utilities	
1 Electrical	208-230/60/3; 3 wire ground, (See Box) 480/60/3; 3 wire ground, (See Box)
2 Water	3/4" supply; cold water connection. Incoming supply pressure must maintain a minimum flow rate of 7.0 US gpm. Machine is equipped with 3/4" male fitting for input water connection.
3 Waste Water Drain	Machine equipped with 2" PVC drain connection. 4" floor drain required for discharge.

Elec. Specs.	Rated Amps	Minimum Supply Ckt. Conductor Ampacity	Maximum Overcurrent Protective Device
208/60/1	36	40	40
240/60/1	32	40	40
208/60/3	24	30	30
240/60/3	22	30	30
480/60/3	12	15	15

Note: Electrical supply service must be a 3-wire plus ground for connection shown.

Warning: Plumbing and electrical connections should be made by qualified personnel who will observe all the applicable plumbing, sanitary and safety codes and the National Electrical Code.



Due to an ongoing analysis program at EnviroPure, specifications are subject to change without notice.