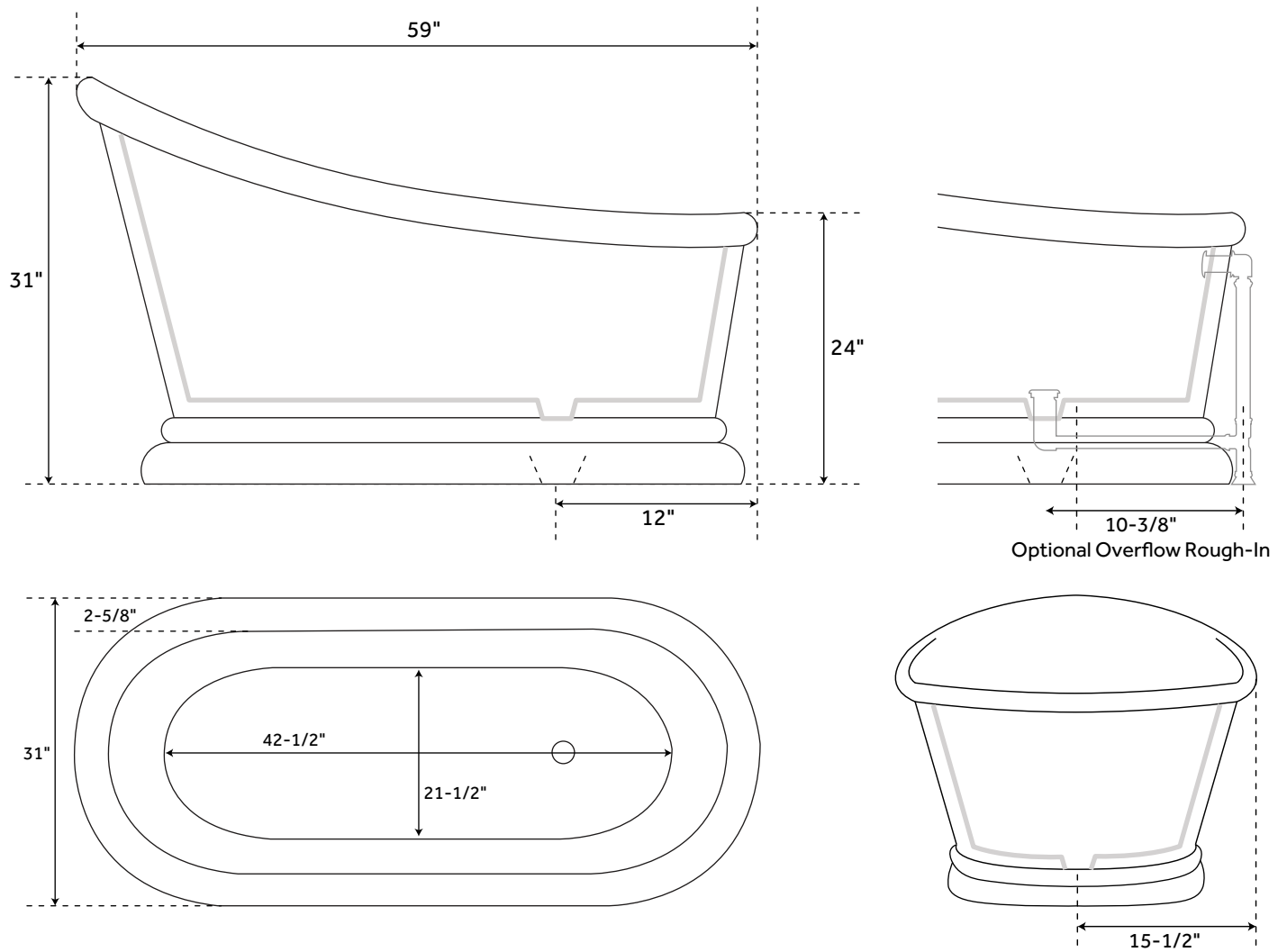


# 59" PAXTON

## HAMMERED COPPER SLIPPER PEDESTAL TUB

SKU: 911036



### FEATURES

- Product Finish: Antique Copper Patina
- Overflow Hole: Optional
- Shape: Oval
- Material: Copper
- Length: 59"
- Width: 31"
- Height: 24" - 31"
- Exterior Treatment: Hammered
- Interior Treatment: Hammered
- Metal Gauge/Thickness: 16 Gauge
- Tap Deck: No
- Drain Included: No
- Drain Placement: End
- Faucet Included: No
- Faucet Drillings: No Drillings
- Water Capacity Without Overflow (Gallons): 74
- Water Depth to Rim: 18-3/4"
- Tub Weight Uncrated (lbs): 100
- Tub Weight Crated (lbs): 210

### SIGNATURE HARDWARE LIFETIME WARRANTY

See website for warranty information



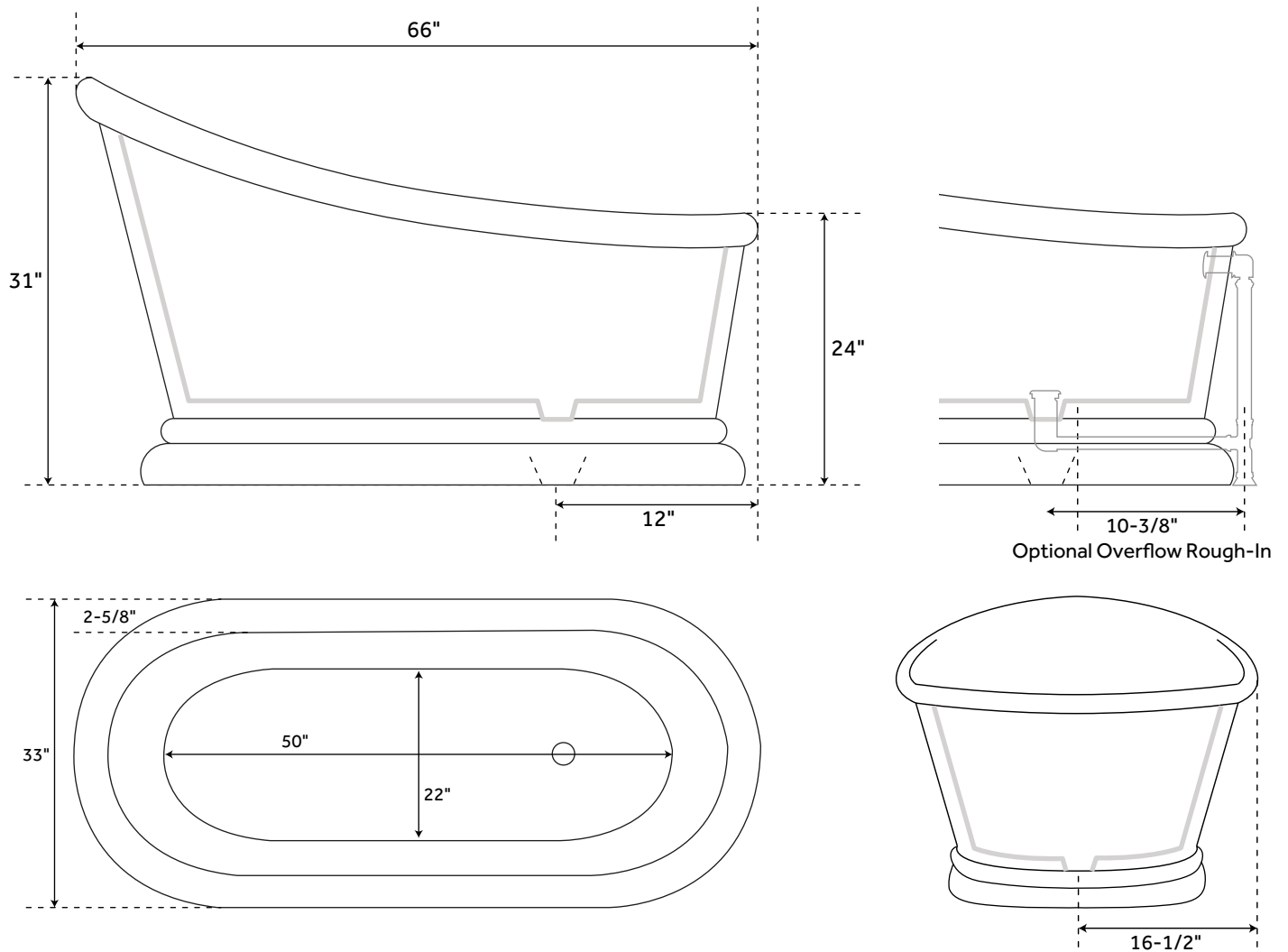
All measurements are approximate. Measurements may vary +/- 1/2".

REVISED 04/22/2019

# 66" PAXTON

## HAMMERED COPPER SLIPPER PEDESTAL TUB

SKU: 911036



### FEATURES

Product Finish: Antique Copper Patina  
Overflow Hole: Optional  
Shape: Oval  
Material: Copper  
Length: 66"  
Width: 33"  
Height: 24" - 31"  
Exterior Treatment: Hammered  
Interior Treatment: Hammered  
Metal Gauge/Thickness: 16 Gauge  
Tap Deck: No  
Drain Included: No  
Drain Placement: End  
Faucet Included: No  
Faucet Drillings: No Drillings  
Water Capacity Without Overflow (Gallons): 88  
Water Depth to Rim: 18-3/4"  
Tub Weight Uncrated (lbs): 100  
Tub Weight Crated (lbs): 210

### SIGNATURE HARDWARE LIFETIME WARRANTY

See website for warranty information



All measurements are approximate. Measurements may vary +/- 1/2".

REVISED 04/22/2019