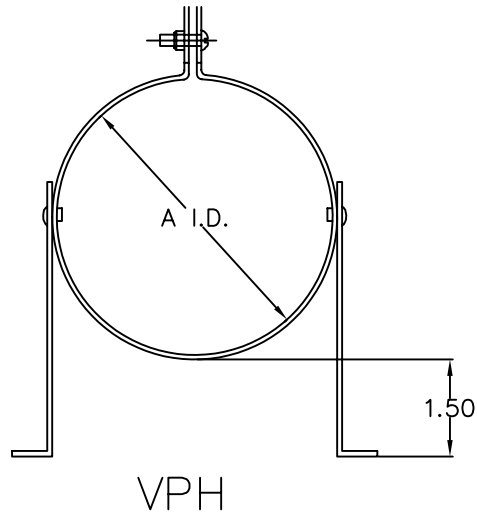
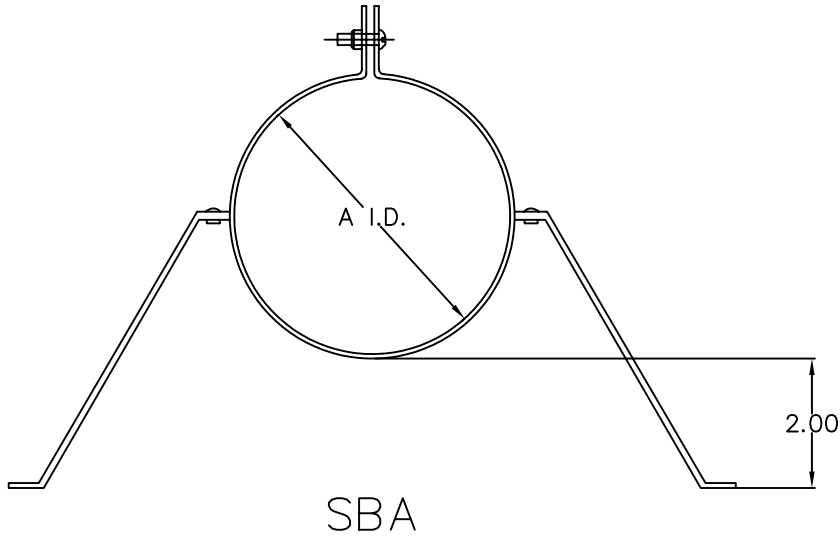


SUBMITTAL DRAWING	JOB NAME: _____	Type B Gas Vent VENT PIPE HANGERS SIZES 3" - 12"
	LOCATION: _____	
	DATE: 12-8-03	ARCHITECT: _____
SUBMITTED BY: _____	ENGINEER: _____	
	CONTRACTOR: _____	



CODE NO.	HANGER FOR	Ø A
3VPH	3"E	3-1/2"
4VPH	4"E	4-1/2"
5VPH	5"E	5-1/2"
6VPH	6"E	6-1/2"
7VPH	7"R	8"
6HS-SBA	8"R	9"
8HS-SBA	10"R	11"
10FB-SBA	12"R	13"

• MATERIAL:
MIN., 0.030 THICK, GALVANIZED STEEL

