

# PFXC7011

## ORVIS SINGLE HANDLE PULL-DOWN KITCHEN FAUCET



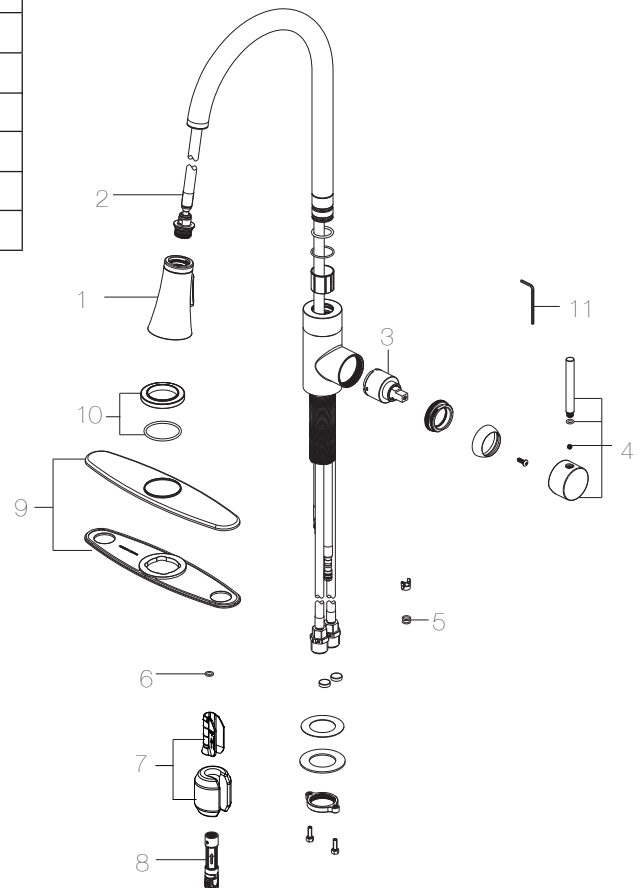
### Model Numbers

|             |                |
|-------------|----------------|
| PFXC7011CP  | Chrome         |
| PFXC7011ZBN | Brushed nickel |
| PFXC7011MB  | Matte black    |

| No. | Item                   | Part Number    | Material Type |
|-----|------------------------|----------------|---------------|
| 1   | Sprayhead              | OBPF638214*    | ABS           |
| 2   | Hose                   | OBPF870462     | Nylon_Briad   |
| 3   | Cartridge              | OBPF220005     | Ceramic       |
| 4   | Handle assembly        | OBPF717126*    | Zinc alloy    |
| 5   | O-ring                 | OBPF60002      | Rubber        |
| 6   | O-ring                 | OBPF60024      | Rubber        |
| 7   | Weight & Weight clip   | OBPF7052564204 | Steel         |
| 8   | Quick connector        | OBPF670479     | POM           |
| 9   | Deck plate assembly    | OBPF180427*    | Steel         |
| 10  | Flange assembly        | OBPF1F80040*   | Zinc alloy    |
| 11  | 2.5mm Hex allen wrench | OBPF1RP70221   | Steel         |



PFXC7011CP



### Warranty and Codes

This product comes complete with installation, operating, care and maintenance instructions. This PROFLO faucet carries a limited lifetime warranty when installed in residential applications. The warranty is five years in commercial applications. This product meets: ASME A112.1 8.1.

\*Compliant with lead content requirements of California AB1953

