

**TOWN SQUARE® S  
RIGHT HEIGHT® ELONGATED TOILET**

- 2917228**
  - LXP® (Luxury Performance) toilet
  - Combination bowl and tank, less seat
  - 12" (305 mm) rough-in
  - Right Height elongated siphon action bowl with exposed trapway
  - High efficiency, ultra-low consumption (1.28 gpf/4.8 Lpf), utilizes 20% less water
  - Meets EPA WaterSense® criteria
  - EverClean® surface included
  - PowerWash® rim scrubs bowl with each flush
  - 16-1/2" (419 mm) rim height for accessible applications
  - 2-1/8" (54 mm) trapway
  - 3" (76 mm) flush valve
  - Chrome trip lever is supplied
  - Includes EZ-Install tools with two color matched bowl caps
  - 1,000g MaP Score\*\* at 1.28 gpf
  - 10-year warranty
  - Design coordinates with Town Square® S suite of fixtures and faucets

- 2917823** Same as above except trip lever on right side
- 3271101** Right Height Elongated Bowl
- 4216228** Tank

**Nominal Dimensions:**

758 x 422 x 787 mm  
(29-3/4" x 16-5/8" x 31")

Fixture only, seat and supply sold separately

**Alternate Tank Configuration Available:**

- 4216823** Tank complete with trip lever located on right side

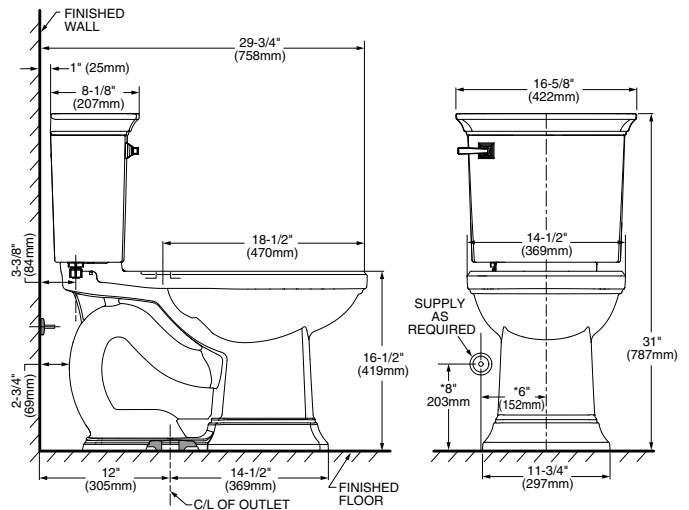
**Compliance Certifications -**

**Meets or Exceeds the Following Specifications:**

- ASME A112.19.2/CSA B45.1
- US EPA WaterSense® Specification for HETs

**To Be Specified:**

- Color:  White  Linen
- Seat: American Standard #5020A.65G  
Slow Close Elongated
- Supply with Stop:



**NOTES:**

THIS COMBINATION IS DESIGNED TO ROUGH-IN AT A MINIMUM DIMENSION OF 305MM (12") FROM FINISHED WALL TO C/L OF OUTLET. \* DIMENSIONS SHOWN FOR LOCATION OF SUPPLY ARE SUGGESTED. SUPPLY NOT INCLUDED WITH FIXTURE AND MUST BE ORDERED SEPARATELY.

**IMPORTANT:** Dimensions of fixtures are nominal and may vary within the range of tolerance established by ANSI Standard A112.19.2. These measurements are subject to change or cancellation. No responsibility is assumed for use of superseded or voided pages.



**MEETS THE AMERICANS WITH DISABILITIES ACT GUIDELINES AND ICC ANSI A117.1 REQUIREMENTS FOR ACCESSIBLE AND USABLE BUILDING FACILITIES-CHECK LOCAL CODES.**



EVERCLEAN®



EPA  
WATERSENSE®  
CERTIFIED



WATER  
EFFICIENT  
CERTIFIED

\*\* Maximum Performance (MaP) testing performed by IAPMO R&T Lab. MaP Report conducted by Gauley Associates Ltd. and Koeller and Company.