

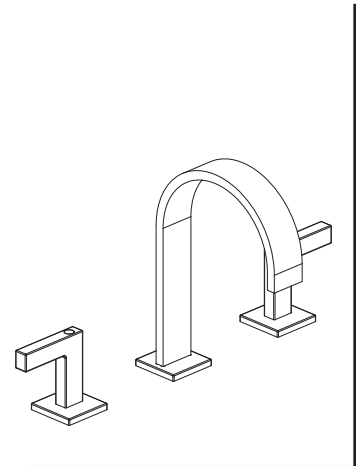
Serie Corsini
8410200
3 hole Roman Tub Kit

STANDARDS

- Compliant with ASME A112.18.1-B125.1
- Certified by CSA International
- Compliant with ANSI A117.1 (lever handle only)

Finishes	8410200PC	8410200BN
Polished Chrome	X	
Brushed Nickel		X
Matte Black		

Features	8410200PC	8410200BN
Solid Brass Construction	X	X
High Flow 3/4" Valves Featuring Ceramic Discs	X	X
Kit Includes Trim and Valve	X	X
Stainless Steel Hoses	X	X
3 Hole Installation	X	X
Step-By-Step Installation Instructions	X	X
ADA Compliant	X	X
Limited Lifetime Warranty	X	X



Project _____

Contractor _____