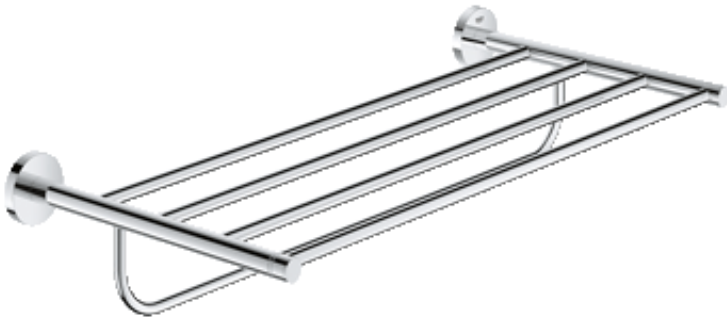


ESSENTIALS
Multi bath towel rack
MODEL # 40800

Pure Freude an Wasser



GROHE America, Inc | 200 North Gary Avenue, Suite G, Roselle, IL 60172
Phone: +1 (800) 444-7643 | Fax: +1 (800) 225-2778 | us-customerservice@grohe.com



Product Description:
Multi bath towel rack

Standard Specification:
• GROHE StarLight® finish

Color:
□ 40800 001 chrome

