

Style 720 TestMaster™ II Alarm Test Module

PRODUCT DESCRIPTION



See Victaulic
publication 10.01
for details.

**Patent
Pending**



**Style 720
Grooved Ends**

The Victaulic® TestMaster™ II Alarm Test Module incorporates the test function and rapid drain function for wet sprinkler systems into a single unit. The unique two valves-in-one globe design provides a test port with integral orifice and a drain port within the same unit. The TestMaster II is constructed of corrosion resistant bronze with dual polycarbonate sight glasses and has a working pressure of 300 psi (2065 kPa).



**Style 720
Threaded Ends**

The Victaulic® TestMaster™ II Alarm Test Module is available with either NPT, BSPT female threaded ends or with grooved ends. The integral 1/2" orifice is factory fitted. 17/32" size available optionally. Style 720 TestMaster II can be installed either facing left or right.

The Style 720 TestMaster II can be supplied with a pressure gauge port tapping. This requirement must be specified at the time of order.



**Style 720
with Pressure
Relief Valve**

The Victaulic Style 720 TestMaster II Alarm Test Module with NPT or BSPT female threaded ends is available with a pressure relief valve set at 175 psi (1206 kPa). It can also be supplied with the tapped gauge port, upon request.

NOTE: The Style 720 with pressure relief valve and Style 720 with pressure relief valve and gauge port are UL Listed and FM Approved only.

VICTAULIC® IS AN ISO 9001 CERTIFIED COMPANY

Victaulic Company of America

Phone: 1-800-PICK-VIC (1-800-742-5842)
Fax: 610-250-8817
e-mail: pickvic@victaulic.com

Victaulic Company of Canada

Phone: 905-884-7444
Fax: 905-884-9774
e-mail: viccanada@victaulic.com

Victaulic Europe

Phone: 32-9-381-1500
Fax: 32-9-380-4438
e-mail: viceuro@victaulic.be

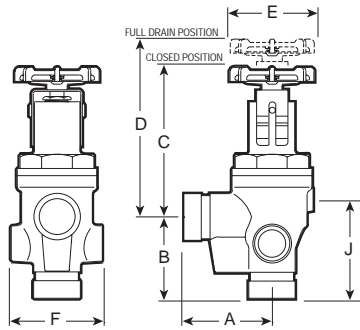
Victaulic America Latina

Phone: 610-559-3300
Fax: 610-559-3608
e-mail: vical@victaulic.com

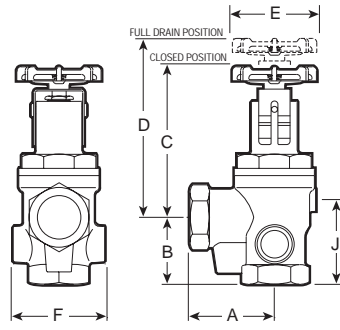
Victaulic Asia Pacific

Phone: 65-6235-3035
Fax: 65-6235-0535
e-mail: vicap@victaulic.com

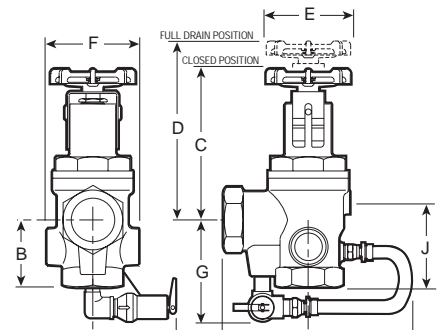
DIMENSIONS



**Style 720
Grooved Ends**



**Style 720
Threaded Ends**



Style 720 with Pressure Relief Valve

Pipe Size		Dimensions Inches/millimeters										Approx. Weight Each Lbs./kg
Nominal Diameter Inches/mm	Actual Outside Diameter Inches/mm	A	B	C	D	E	F	G	H	I	J	
STYLE 720 GROOVED ENDS												
1¼ 32	1.660 42,4	3.15 80	2.90 74	5.47 139	6.43 163	2.68 68	3.25 83	-	-	-	3.50 89	6.7 3,0
1½ 40	1.900 48,3	3.65 93	3.06 78	5.47 139	6.51 165	2.68 68	3.75 95	-	-	-	4.20 107	8.9 4,0
2 50	2.375 60,3	3.65 93	3.06 78	5.47 139	6.51 165	2.68 68	3.75 95	-	-	-	4.20 107	9.3 4,2
STYLE 720 THREADED ENDS												
1 25	1.315 33,7	3.00 76	2.38 60	5.47 139	6.43 163	2.68 68	3.25 83	-	-	-	3.00 76	7.3 3,3
1¼* 32	1.660 42,4	3.00 76	2.38 60	5.47 139	6.43 163	2.68 68	3.25 83	-	-	-	3.00 76	7.0 3,2
1½* 40	1.900 48,3	3.63 92	2.38 60	5.47 139	6.51 165	2.68 68	3.75 95	-	-	-	3.50 89	10,5 4,8
2* 50	2.375 60,3	3.63 92	2.38 60	5.47 139	6.51 165	2.68 68	3.75 95	-	-	-	3.50 89	10,0 4,6
STYLE 720 WITH PRESSURE RELIEF VALVE												
1 25	1.315 33,7	3.00 76	2.38 60	5.47 139	6.43 163	2.68 68	3.25 83	3.90 99,06	4.95 125,73	4.00 101,6	3.00 76	8.3 3,8
1¼ 32	1.660 42,4	3.00 76	2.38 60	5.47 139	6.43 163	2.68 68	3.25 83	3.90 99,06	4.95 125,73	4.00 101,6	3.00 76	8.0 3,8
1½ 40	1.900 48,3	3.63 92	2.38 60	5.47 139	6.51 165	2.68 68	3.75 95	4.09 103,89	4.95 125,73	4.00 101,6	3.50 89	11,5 5,2
2 50	2.375 60,3	3.63 92	2.38 60	5.47 139	6.51 165	2.68 68	3.75 95	4.09 103,89	4.95 125,73	4.00 101,6	3.50 89	11,0 5,0

*Not available in Canada.

MATERIAL SPECIFICATIONS

- Body:** Bronze
- Internals:** Bronze and copper alloy, except spring is 316 stainless steel
- Valve Bonnet:** Bronze
- Sight Glasses:** Polycarbonate
- O-rings:** Nitrile
- Gland Nut:** Copper alloy
- Indicator Pin/Plate:** Carbon steel, zinc plated
- Handwheel:** Malleable iron

- Open/Shut Label:** Aluminum
- Valve Seats:** EPDM
- Options:** TestMaster II can be specially ordered with the body tapped ¼" NPT for a pressure gauge connection.
- Orifice Sizes:** Standard ½"
- Optional:** □ 17/32"

- Pressure Relief Valve Option:**
- Relief Valve:** ½" Pressure Relief Valve, Watts Regulator Model FP 53L 175 psi
- Fittings:** Bronze elbows and hose adapters.
- Drain Hose:** Reinforced plastic.

This product shall be manufactured by Victaulic Company. All products to be installed in accordance with current Victaulic installation/assembly instructions. Victaulic reserves the right to change product specifications, designs and standard equipment without notice and without incurring obligations.