

PAIGE

HAMMERED COPPER DOUBLE-SLIPPER TUB - NICKEL INTERIOR

SKU: 909274



FEATURES

- Product Finish: Antique Copper Patina
- Overflow Hole: Optional
- Shape: Oval
- Material: Copper
- Exterior Treatment: Hammered
- Interior Treatment: Polished
- Metal Gauge/Thickness: 16 Gauge
- Tap Deck: No
- Drain Included: Optional
- Drain Placement: Center
- Faucet Included: No
- Faucet Drillings: No Drillings

SIGNATURE HARDWARE Lifetime Warranty

See website for detailed warranty information.

CONTENTS

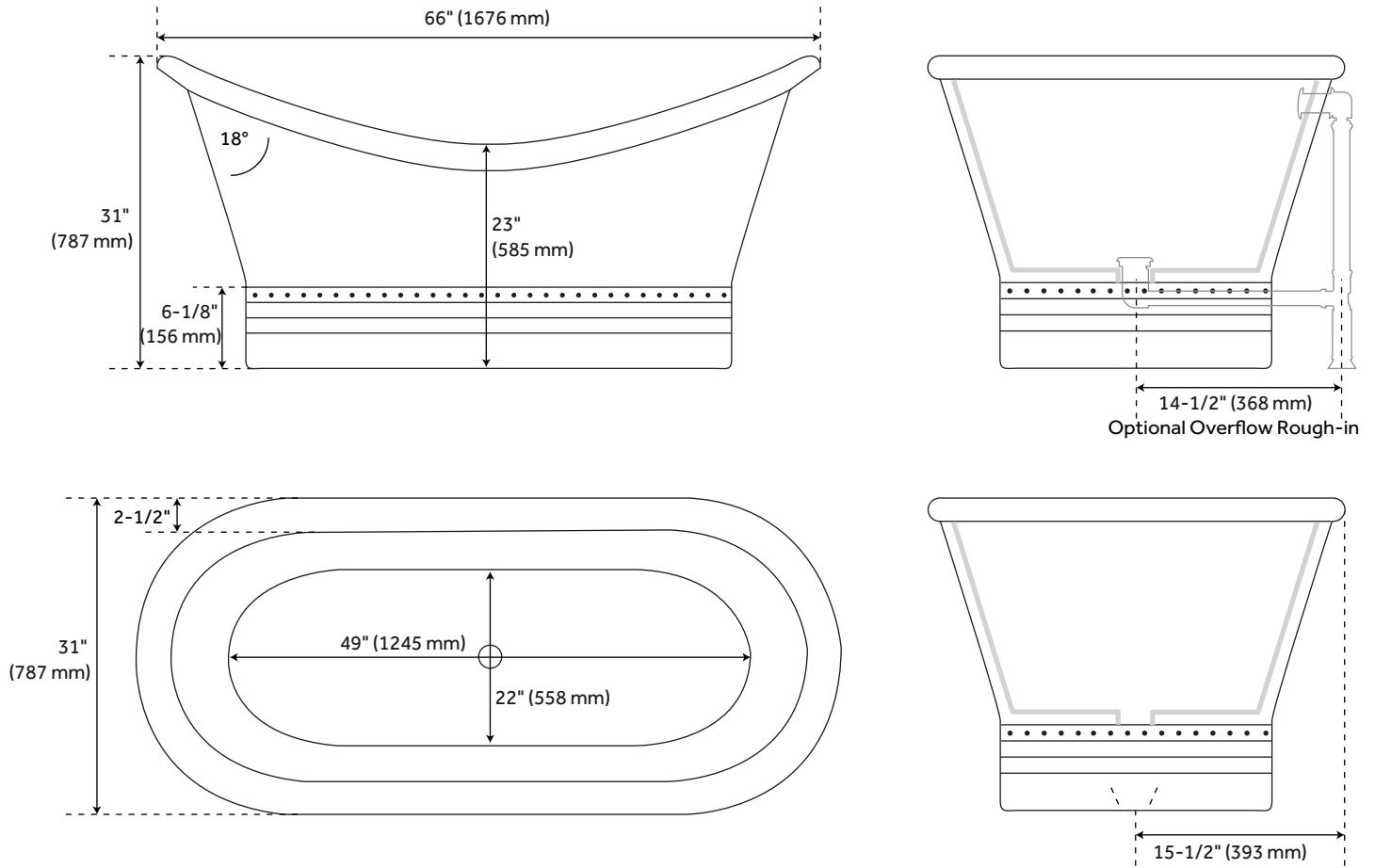
66" TUB	PAGE 2
72" TUB	PAGE 3
AIR TUB	PAGE 4
66" AIR TUB	PAGE 5
72" AIR TUB	PAGE 6

REVISED 06/23/2021

66" PAIGE

HAMMERED COPPER DOUBLE-SLIPPER TUB - NICKEL INTERIOR

SKU: 909274



FEATURES

- Product Finish: Antique Copper Patina
- Overflow Hole: Optional
- Material: Copper
- Length: 66"
- Width: 31"
- Height: 31"
- Tub Slope: 18°
- Water Depth To Rim: 17-1/4"
- Water Depth To Overflow: 14-1/4"
- Exterior Treatment: Hammered
- Interior Treatment: Polished
- Metal Gauge/Thickness: 16 Gauge
- Tap Deck: No
- Drain Included: Optional
- Drain Placement: Center
- Faucet Included: No
- Faucet Drillings: No Drillings
- Water Capacity With/Without Overflow (Gallons): 67/81
- Tub Weight Uncrated (lbs): 170
- Tub Weight Crated (lbs): 325

PRODUCT IMAGE



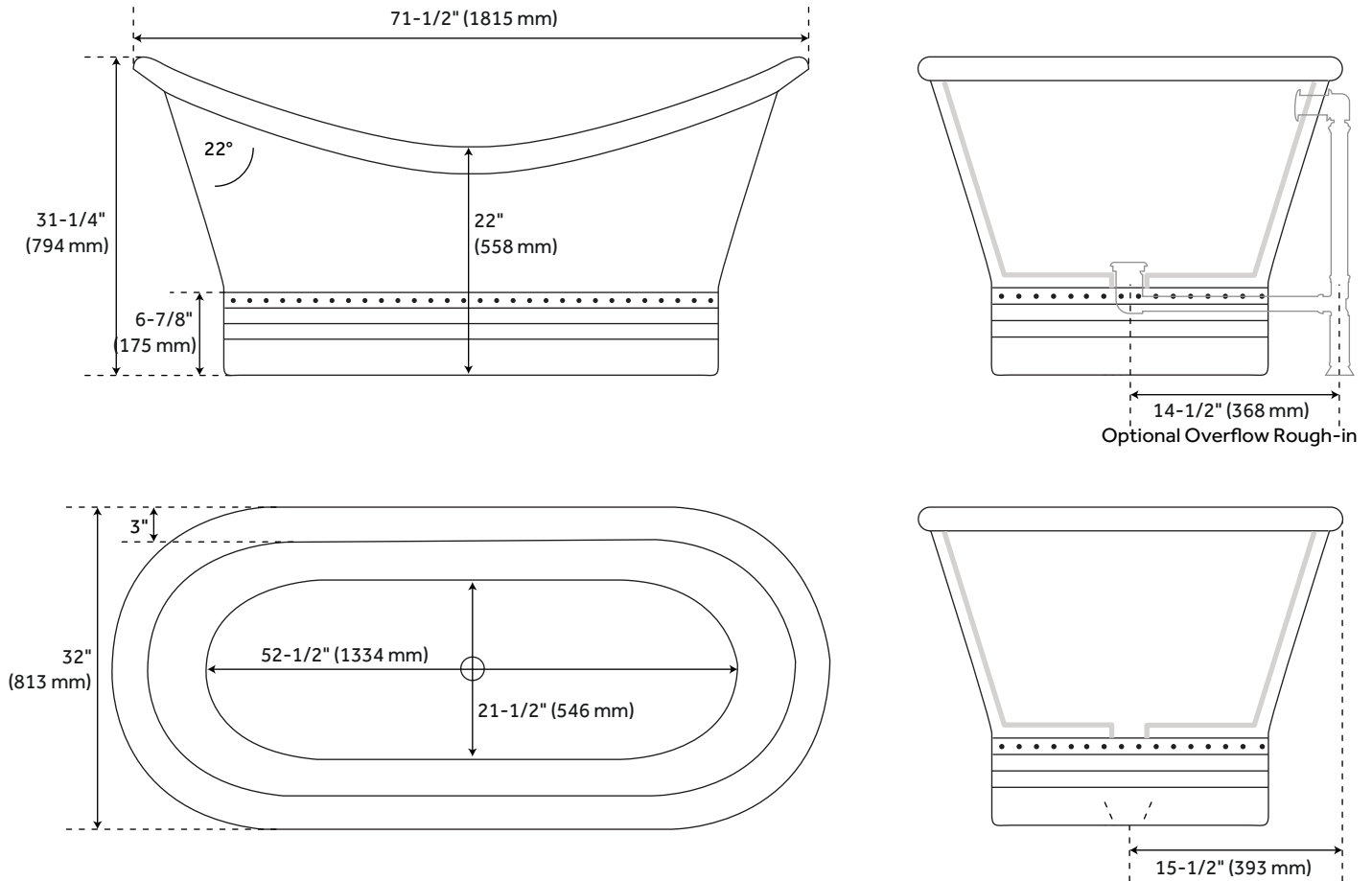
All dimensions and specifications are nominal and may vary. Use actual products for accuracy in critical situations.

PAGE 2

72" PAIGE

HAMMERED COPPER DOUBLE-SLIPPER TUB - NICKEL INTERIOR

SKU: 909274



FEATURES

- Product Finish: Antique Copper Patina
- Overflow Hole: Optional
- Material: Copper
- Length: 72"
- Width: 32"
- Height: 31"
- Tub Slope: 22°
- Water Depth To Rim: 17-1/2"
- Water Depth To Overflow: 14"
- Exterior Treatment: Hammered
- Interior Treatment: Polished
- Metal Gauge/Thickness: 16 Gauge
- Tap Deck: No
- Drain Included: Optional
- Drain Placement: Center
- Faucet Included: No
- Faucet Drillings: No Drillings
- Water Capacity With/Without Overflow (Gallons): 68/86
- Tub Weight Uncrated (lbs): 170
- Tub Weight Crated (lbs): 325

PRODUCT IMAGE



All dimensions and specifications are nominal and may vary. Use actual products for accuracy in critical situations.

PAGE 3

PAIGE AIR TUB

COMPONENTS LIST

- BM-TWP BALL CHECK VALVE JETS
- MANI-SD-A SECURITY DEVICE
- MAN-A-4-AC MANIFOLD
- SILVER SLS+ VARIABLE SPEED BLOWER

INSTALLATION

Install blower behind a wall (with an access panel) or in a closet. Blower can also be installed under floor. Ensure the security device, MANI-DS-A, is at least:

- 2" Above the tub rim

Security device and hose can be mounted in wall

REMOTE CONTROL

- CG+/RTC-SENSOR-WP
- 12 – 15 YEAR BATTERY LIFE

INSIDE OF BATH

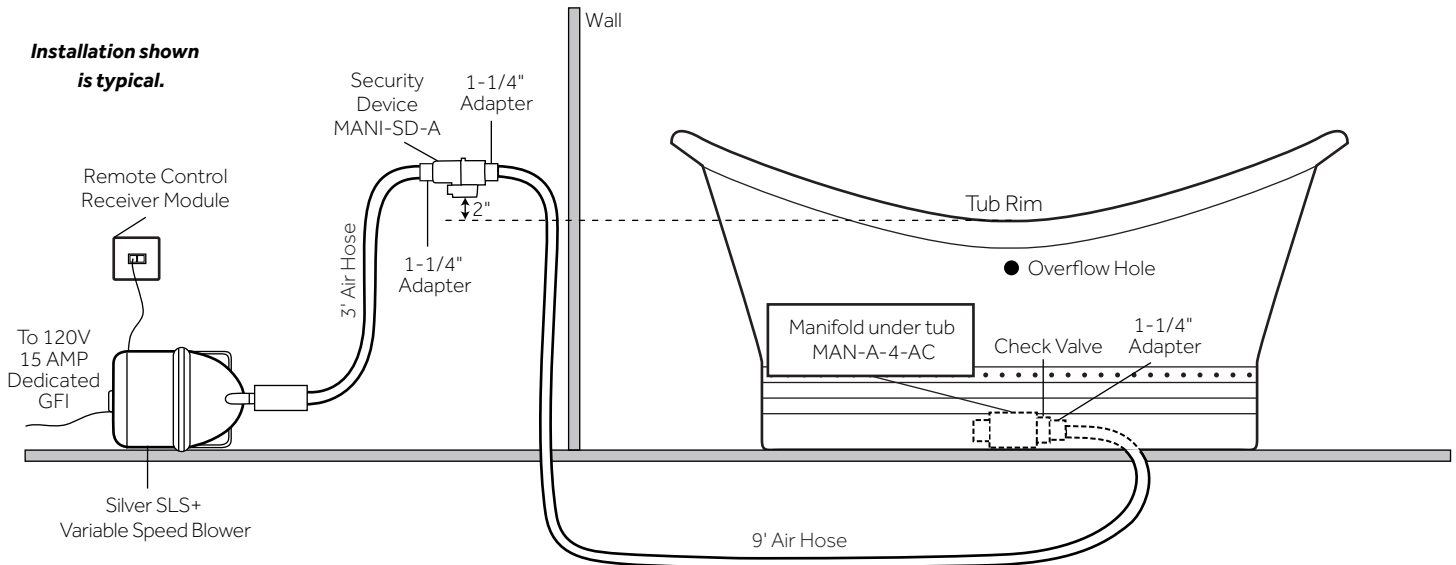
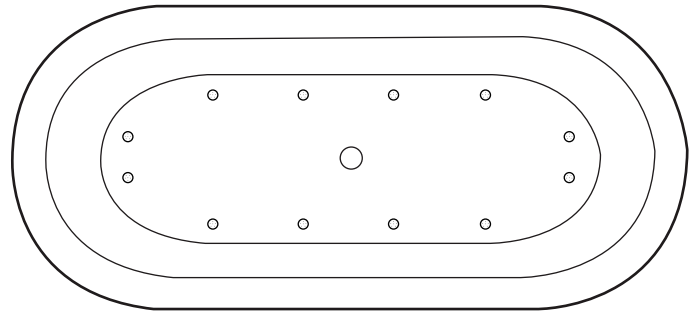
- (12) MAXI AIR JETS WITH 24 OPENINGS



ELBOWS FOR AIR JETS



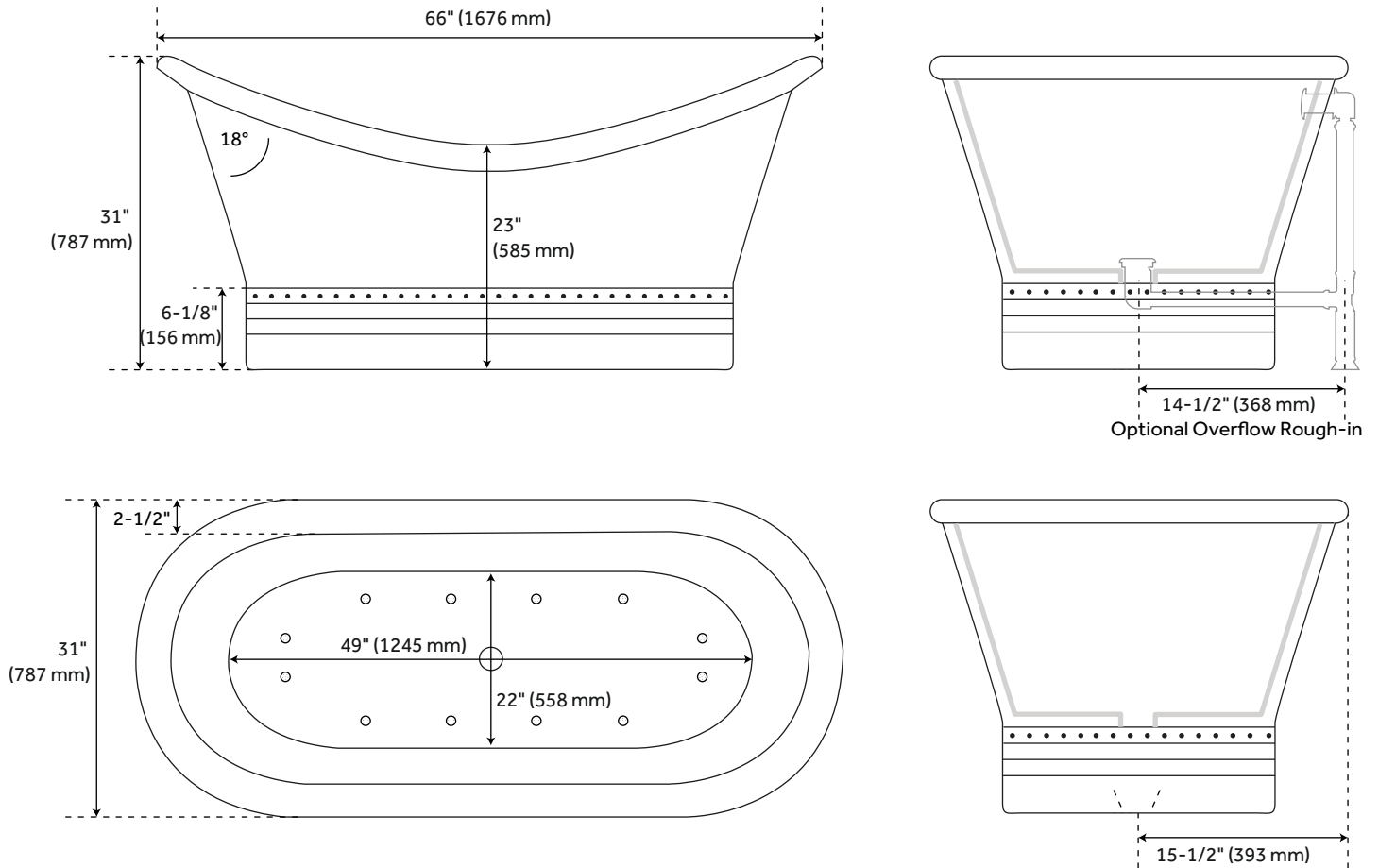
TEES FOR AIR JETS



66" PAIGE

HAMMERED COPPER DOUBLE-SLIPPER TUB - NICKEL INTERIOR

SKU: 909274



FEATURES

- Product Finish: Antique Copper Patina
- Overflow Hole: Optional
- Material: Copper
- Length: 66"
- Width: 31"
- Height: 31"
- Tub Slope: 18°
- Water Depth To Rim: 17-1/4"
- Water Depth To Overflow: 14-1/4"
- Exterior Treatment: Hammered
- Interior Treatment: Polished
- Metal Gauge/Thickness: 16 Gauge
- Tap Deck: No
- Drain Included: Optional
- Drain Placement: Center
- Faucet Included: No
- Faucet Drillings: No Drillings
- Water Capacity With/Without Overflow (Gallons): 67/81
- Tub Weight Uncrated (lbs): 170
- Tub Weight Crated (lbs): 325

PRODUCT IMAGE



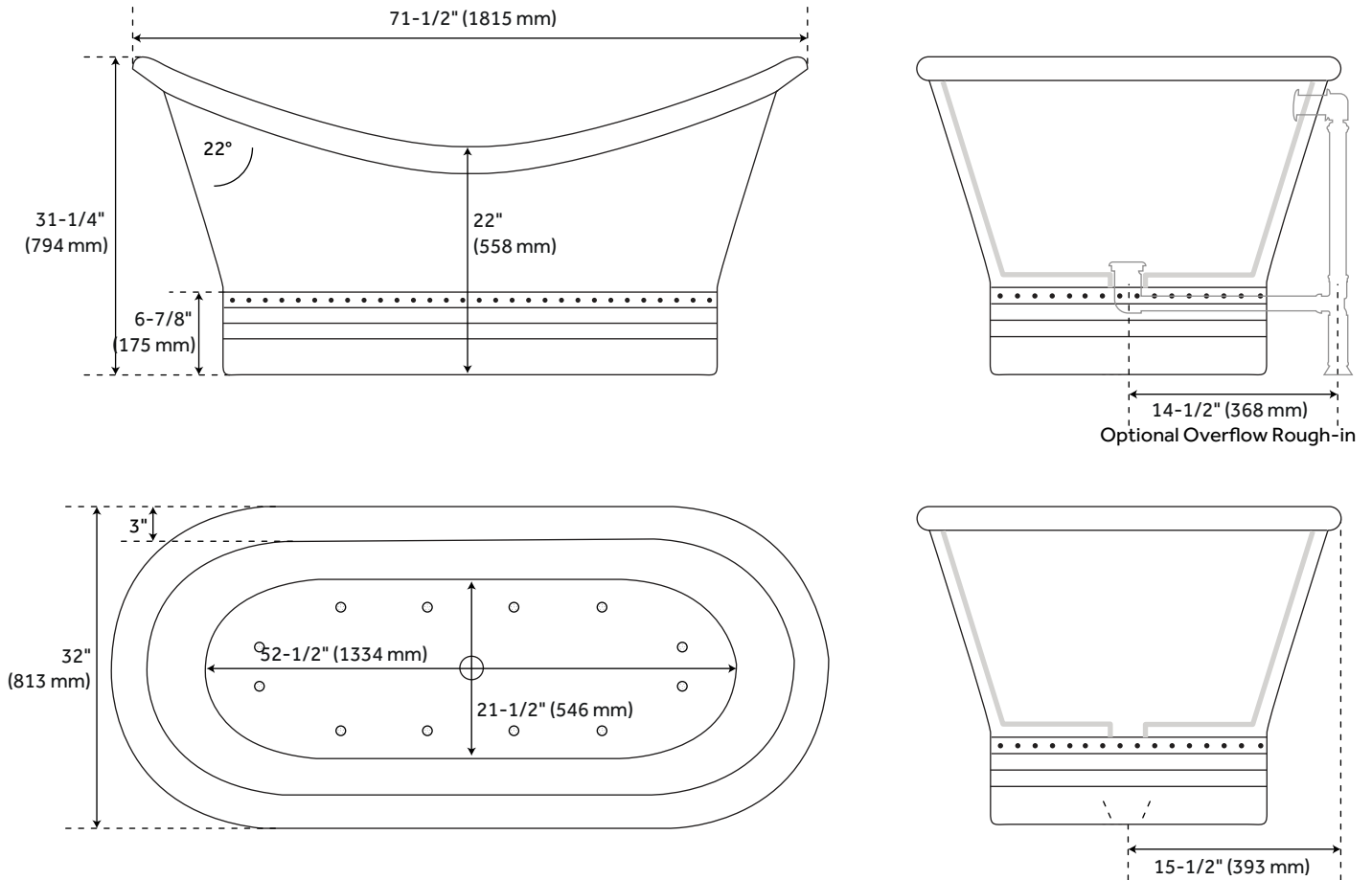
All dimensions and specifications are nominal and may vary. Use actual products for accuracy in critical situations.

PAGE 5

72" PAIGE

HAMMERED COPPER DOUBLE-SLIPPER TUB - NICKEL INTERIOR

SKU: 909274



FEATURES

- Product Finish: Antique Copper Patina
- Overflow Hole: Optional
- Material: Copper
- Length: 72"
- Width: 32"
- Height: 31"
- Tub Slope: 22°
- Water Depth To Rim: 17-1/2"
- Water Depth To Overflow: 14"
- Exterior Treatment: Hammered
- Interior Treatment: Polished
- Metal Gauge/Thickness: 16 Gauge
- Tap Deck: No
- Drain Included: Optional
- Drain Placement: Center
- Faucet Included: No
- Faucet Drillings: No Drillings
- Water Capacity With/Without Overflow (Gallons): 68/86
- Tub Weight Uncrated (lbs): 170
- Tub Weight Crated (lbs): 325

PRODUCT IMAGE



All dimensions and specifications are nominal and may vary. Use actual products for accuracy in critical situations.

PAGE 6