



24,000 BTU/H WALL MOUNTED IDU

SUBMITTAL COVER SHEET

PROJECT NAME _____

LOCATION _____

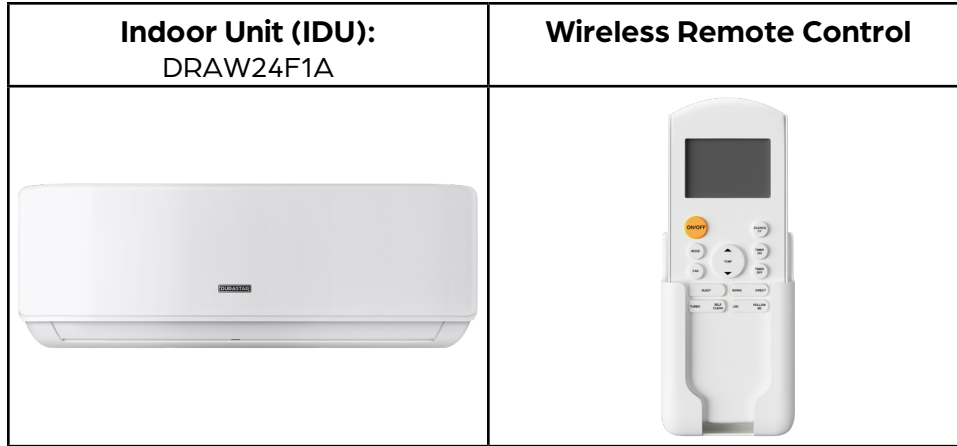
ARCHITECT _____

ENGINEER _____

CONTRACTOR _____

REFERENCE _____

SUBMITTED BY _____ DATE _____



CAPACITIES		
Cooling Capacity (BTU/hr)	Rated	24000
Heating Capacity (BTU/hr)	Rated	25000

ELECTRICAL DATA	
Voltage/Phase/Frequency	208-230V, 1 Phase, 60 Hz

LINE SET REQUIREMENTS	
Connection Type	Flare
Liquid	Ø3/8" (Ø9.52mm)
Gas	Ø5/8" (Ø16mm)
Drain Port O.D. / Drain Hose I.D.	Ø5/8" (Ø16mm)

INDOOR UNIT FAN DATA		
Air Flow (CFM)	Low	324
	Medium	471
	High	618
Type	DC	
RLA	0.45	
Sound Pressure (dB(A))	Low	33
	Medium	42
	High	47.5

INDOOR UNIT DIMENSIONS		
Unit Dimensions	Width	42 1/2"
	Depth	8 7/8"
	Height	13 3/16"
Carton Dimensions	Width	45 1/2"
	Depth	12 5/8"
	Height	16 5/16"
Net Weight	31 lbs.	
Gross Weight	38.0 lbs.	

PRODUCT FEATURES

- Wireless Remote Control with "Follow Me" Technology
- Auto Restart
- Auto Changeover
- 24-hour Timer
- Self Clean Function

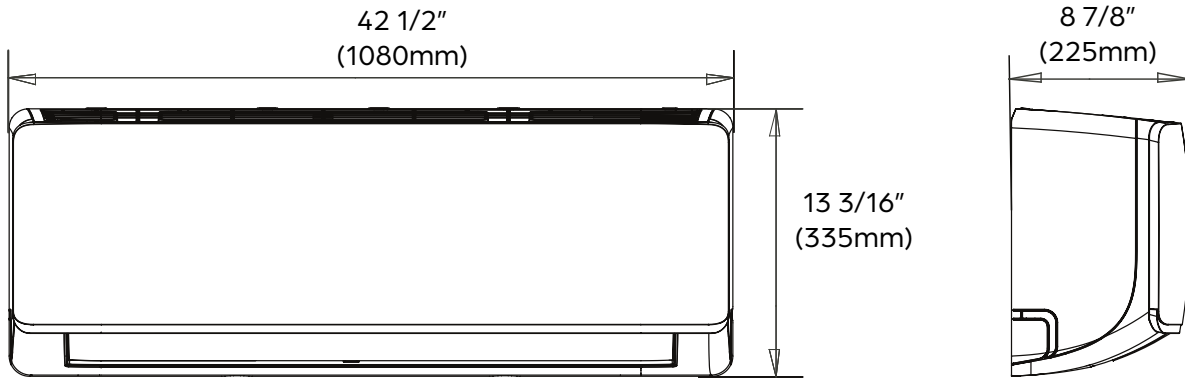




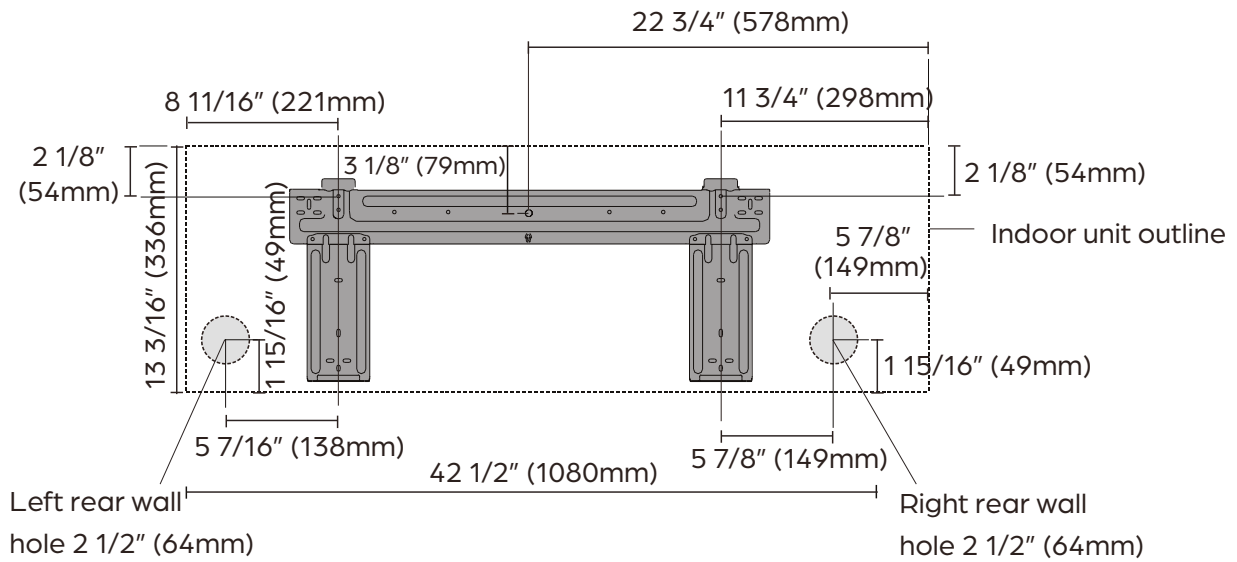
24,000 BTU/H WALL MOUNTED IDU

DIMENSIONS - DRAW24F1A

Unit Dimensions



Mounting Plate Dimensions



Clearance Distances

