



18,000 BTU/H WALL MOUNTED IDU

SUBMITTAL COVER SHEET

PROJECT NAME _____

LOCATION _____

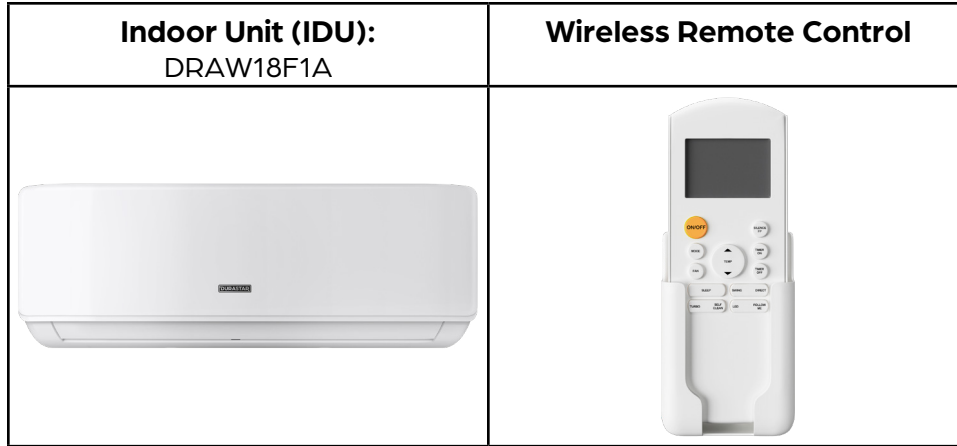
ARCHITECT _____

ENGINEER _____

CONTRACTOR _____

REFERENCE _____

SUBMITTED BY _____ DATE _____



| CAPACITIES | | |
|---------------------------|-------|-------|
| Cooling Capacity (BTU/hr) | Rated | 18000 |
| Heating Capacity (BTU/hr) | Rated | 18000 |

| ELECTRICAL DATA | |
|-------------------------|--------------------------|
| Voltage/Phase/Frequency | 208-230V, 1 Phase, 60 Hz |

| LINE SET REQUIREMENTS | |
|-----------------------------------|-----------------|
| Connection Type | Flare |
| Liquid | Ø1/4" (Ø6.35mm) |
| Gas | Ø1/2" (Ø12.7mm) |
| Drain Port O.D. / Drain Hose I.D. | Ø5/8" (Ø16mm) |

| INDOOR UNIT FAN DATA | | |
|------------------------|--------|-----|
| Air Flow (CFM) | Low | 306 |
| | Medium | 365 |
| | High | 559 |
| Type | DC | |
| RLA | 0.4 | |
| Sound Pressure (dB(A)) | Low | 32 |
| | Medium | 38 |
| | High | 43 |

| INDOOR UNIT DIMENSIONS | | |
|------------------------|-----------|----------|
| Unit Dimensions | Width | 42 1/2" |
| | Depth | 8 7/8" |
| | Height | 13 3/16" |
| Carton Dimensions | Width | 45 1/2" |
| | Depth | 12 5/8" |
| | Height | 16 5/16" |
| Net Weight | 29.5 lbs. | |
| Gross Weight | 39.0 lbs. | |

PRODUCT FEATURES

- Wireless Remote Control with "Follow Me" Technology
- Auto Restart
- Auto Changeover
- 24-hour Timer
- Self Clean Function

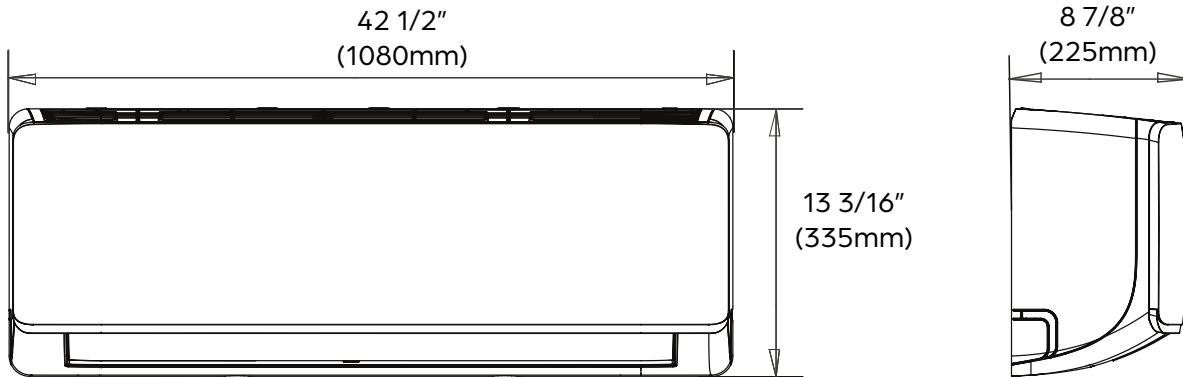




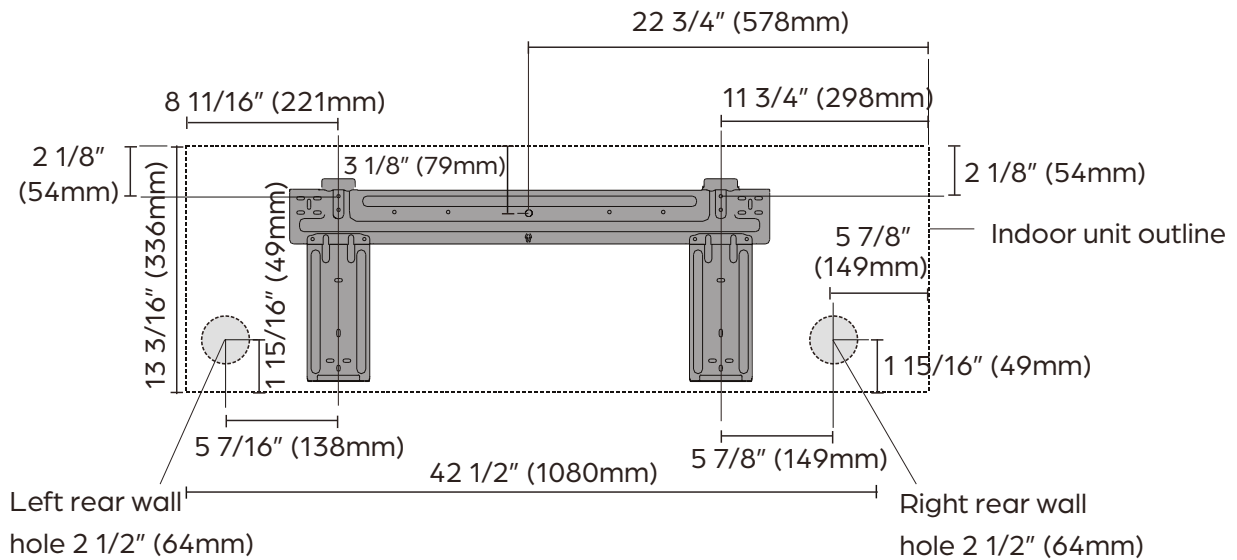
18,000 BTU/H WALL MOUNTED IDU

DIMENSIONS - DRAW18F1A

Unit Dimensions



Mounting Plate Dimensions



Clearance Distances

