

Serie Abruzzo

9469100

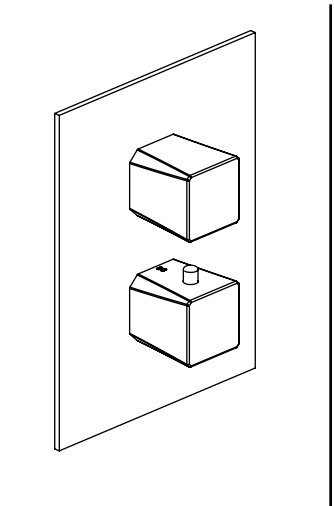
1/2" Thermostatic Valve with diverter
and Volume Control trim only

STANDARDS

- Compliant with ASME A112.18.1-B125.1
- Compliant with ASSE 1016T
- Certified by CSA International
- Compliant with ANSI A117.1

Finishes	9469100PC	9469100BN
Polished Chrome	X	
Brushed Nickel		X

Features	9469100PC	9469100BN
Solid Brass Construction	X	X
1/2" Stacked Thermostatic Valve Featuring Ceramic Discs	X	X
High Flow Valve Supports Multiple Outlets	X	X
Kit Includes Trim & Thermostatic cartridge	X	X
1/2" NPT Inlets	X	X
Progressive Volume Control	X	X
Independent Temperature Control	X	X
Step-By-Step Installation Instructions	X	X
Limited Lifetime Warranty	X	X



Project _____

Contractor _____