



## Ensemble™

30" Bath

71171120

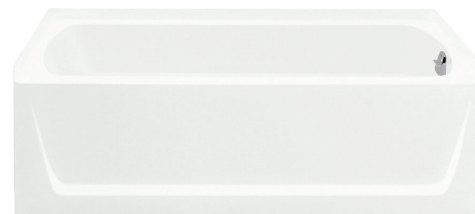


### Features

- Bath and integral apron eliminates installation step.
- Durable high-gloss finish.
- 2" (51 mm) wainscot/tile ledge.
- 16" (406 mm) bath depth (floor to top of threshold).
- 60" (1524 mm) x 30" (762 mm) x 18" (457 mm) complete unit finished dimensions.

### Material

- Compression molded from our exclusive solid Vikrell® material.



### ADA

#### Codes/Standards

CSA B45.5/IAPMO Z124

ASTM E162

ASTM E662

Greenguard UL 2818 - Gold

ADA

ICC/ANSI A117.1

HUD, UM Bulletin 73



#### Sterling Warranty - Fixtures Made of Solid Vikrell Material

See website for detailed warranty information.

#### Available Color/Finishes

*Color tiles intended for reference only.*

| Color | Code | Description |
|-------|------|-------------|
|-------|------|-------------|

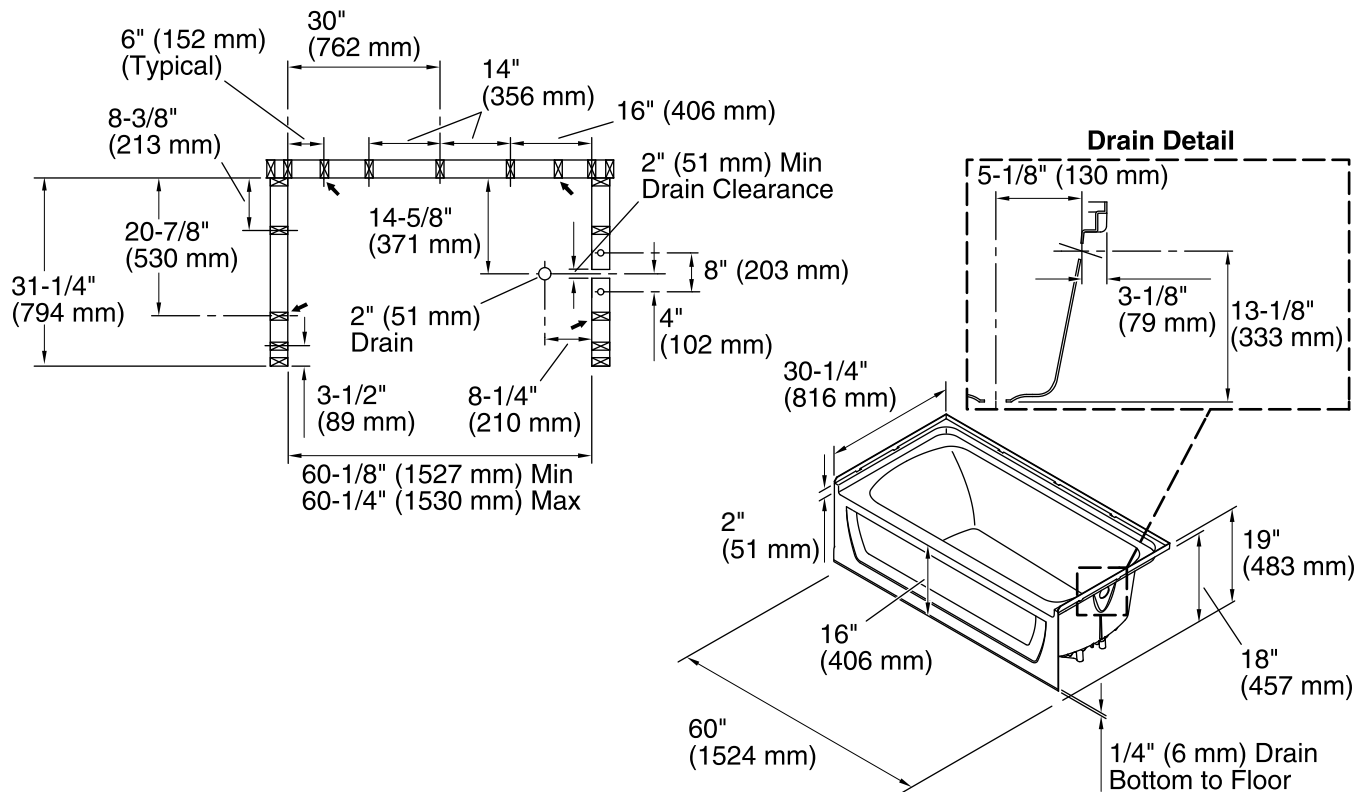
- |  |    |         |
|--|----|---------|
|  | 0  | White   |
|  | 96 | Biscuit |

USA/Canada: 1-800-STERLING (1-800-783-7546)

Kohler Co. reserves the right to make revisions without notice to product specifications.

For the most current Specification Sheet, go to [www.sterlingplumbing.com](http://www.sterlingplumbing.com).

11-5-2015 02:27



### Technical Information

All product dimensions are nominal.

|                      |                              |
|----------------------|------------------------------|
| Installation:        | 3-Wall Alcove                |
| Drain location:      | Right                        |
| Basin area, bottom:  | 45" x 20" (1143 mm x 508 mm) |
| Basin area, top:     | 53" x 23" (1346 mm x 584 mm) |
| Water depth:         | 11-1/4" (286 mm)             |
| Water capacity:      | 44 gal (166.6 L)             |
| Door width required: | 57-11/16" (1465 mm)          |

### Notes

Measure your actual product for roughing-in details.

Install this product according to the installation guide.

Studs should be positioned roughly as shown.

Double studding is recommended for pivot shower door installations.

ADA compliant when installed to the specific requirements of these regulations.