




5.3 cu. ft. Electric Range

WFE505W0J



Stainless Steel
WFE505W0JS

Also available in:

 Black Stainless **WFE505W0JV**

 Fingerprint-Resistant Stainless **WFE505W0JZ**

Capacity

Oven 5.3 cu. ft.

General Features & Properties

Keep Warm Setting

Large Oven Window

Fingerprint Resistant

Closed Door Broiling

Control Lock Mode

Steam Clean Option

5.3 cu. ft. Capacity

Ceramic Glass Cooktop

Upswept SpillGuard™ Cooktop

Electrical Details

Amps 40

Volts 120/240

Technical Details

Fuel Type Electric

Range Type Freestanding Single Oven

Oven Cooking System Thermal

Number of Oven Racks 2

Cleaning Type Steam Clean

Number of Elements 5

Element Type Radiant

Element Size/Power
(1) 9" 6" 3000W
(1) 9" 2500W
(2) 6" 1200W
(1) 6" 100W

Dimensions

Product Dimensions (H x W x D) 47-7/8" x 29-7/8" x 27-3/4"

Depth with Door Open 90° 46-11/16"

Reference Material

[Install Guide](#)

[Use & Care Guide](#)

[Warranty](#)

Key Features & Benefits

FlexHeat™ Dual Radiant Element

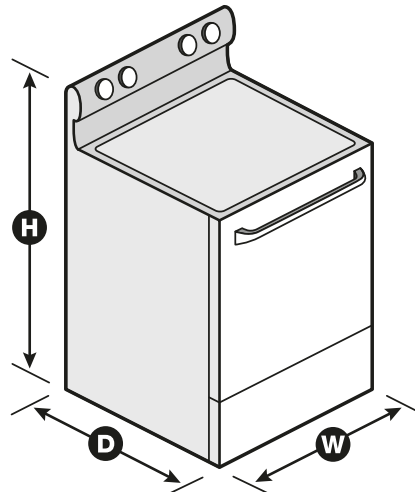
A 6" inner ring is great for smaller pots and pans, while the 9" outer ring heats larger cookware.

Frozen Bake™ Technology

Cook frozen favorites faster with preprogrammed settings that automatically adjust cooking times.

Warm Zone Element

Keep food warm using this low-powered center element.



NOTE: Dimensions are for planning purposes only. For complete details, see Installation Instructions packed with product. Specifications subject to change without notice.

®/™ © 2020. All rights reserved. Printed in the U.S.A. D200052XXB. WFE505W0JSPECSHEETV01.