

VILAMONTE

IN-WALL SHOWER DIVERTER TRIM

SKU: 948907



FEATURES

- Shape: Square
- Handle Type: Lever
- Installation Type: Wall Mount
- Assembly Required: No
- Design: Modern
- Metal Lever Handle
- Six Total Settings Allow for Shared Water Flow Between Outlets, Giving you the Ability to Use Two Functions at Once

Optional Rough-In Valve:

- Available Single-Function Diverter
- Valve Cartridge Restricts Water Flow to One Outlet at a Time
- Brass Valve Body
- Ceramic Cartridge
- Not Intended as a Shut Off Valve
- Must be Installed in Accordance With Provided Installation Instructions

CONTENTS

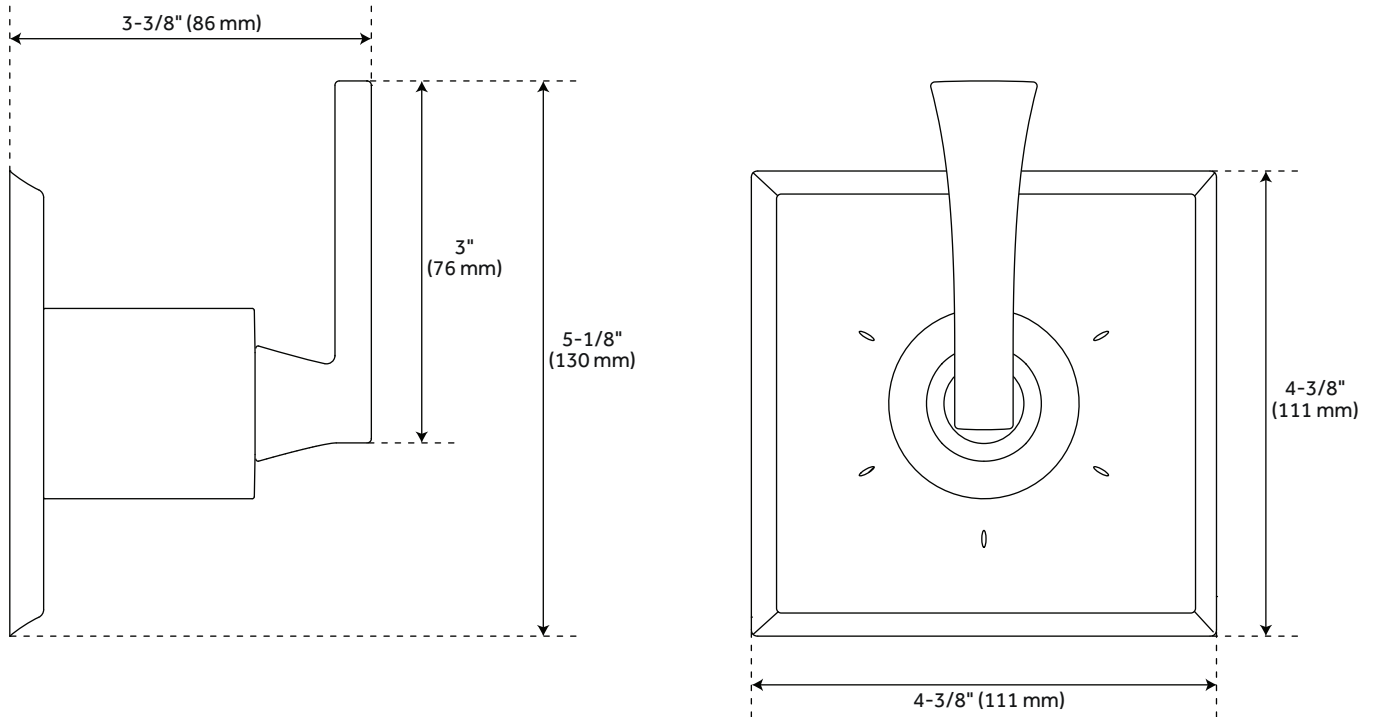
TRIM	PAGE 2
ROUGH-IN VALVE	PAGE 3

REVISED 04/08/2021

VILAMONTE

IN-WALL SHOWER DIVERTER TRIM

SKU: 948907



FEATURES

Material: Brass
Width: 4-3/8"
Height: 4-3/8"
Depth: 3-3/8"
Connection: 3/4"-14 NPT
Wall Thickness Range: 1" to 1-3/4"
Recommended Valve Installation Depth:
1-5/8" to 2-3/8"

CODES/STANDARDS

cUPC
ASME A112.18.1/CSA B125.1
ICC/ANSI A117.1 (when installed
according to ADA standards)
Massachusetts Accepted

PRODUCT IMAGE



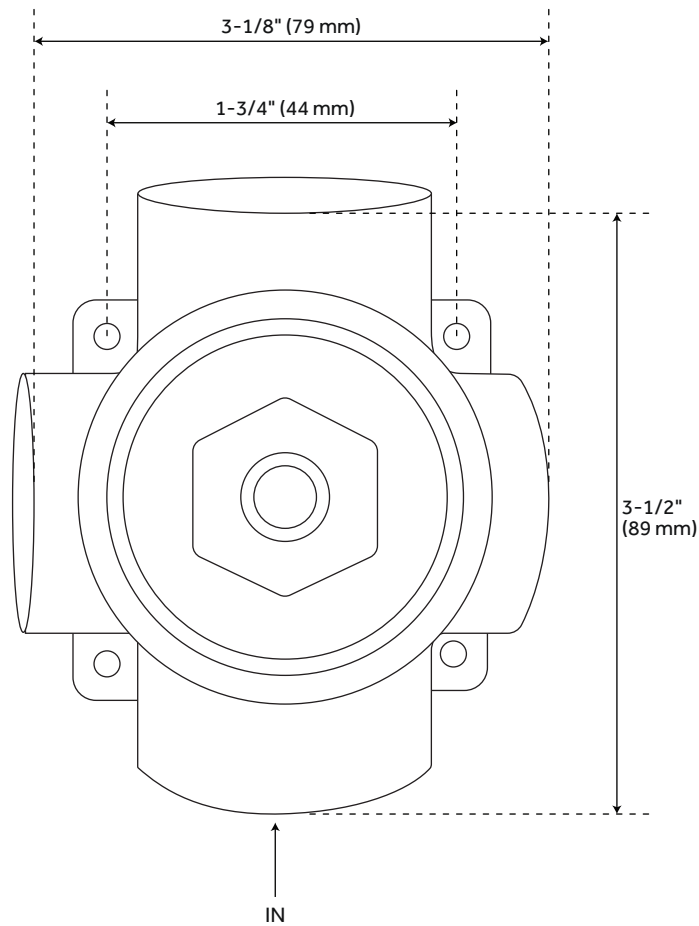
All dimensions and specifications are nominal and may vary. Use actual products for accuracy in critical situations.

PAGE 2
Code: SHVL9005

VILAMONTE

OPTIONAL 3-WAY IN-WALL DIVERTER ROUGH-IN VALVE - 3/4"

SKU: 948907



FEATURES

Material: Brass
Connection: 3/4"-14 NPT
For Installations Only Requiring 2 Outlets,
the 3rd Outlet May be Looped into
One of the Existing Pipes

CODES/STANDARDS

cUPC
ASME A112.18.1/CSA B125.1
Massachusetts Accepted

PRODUCT IMAGE



All dimensions and specifications are nominal and may vary. Use actual products for accuracy in critical situations.

PAGE 3
Code: SH6103