

GREYFIELD

PRESSURE BALANCE SHOWER VALVE TRIM

SKU: 948890



FEATURES

Shape: Round
Handle Type: Lever
Installation Type: Wall Mount
Features: Pressure-balanced
Assembly Required: No
Design: Modern
Metal Handle
Metal Escutcheon.

Optional Rough-In Valve:

Pressure Balance Valve With Integral Stops
One-Piece Cartridge Design
For Ease of Maintenance
Back-to-Back Capability
Ceramic Disc Valve Cartridge
Cast Bronze Valve Body
Adjustable Temperature Limit Stop
Quick Remove Plaster Guard
Easy Mounting Brackets

CONTENTS

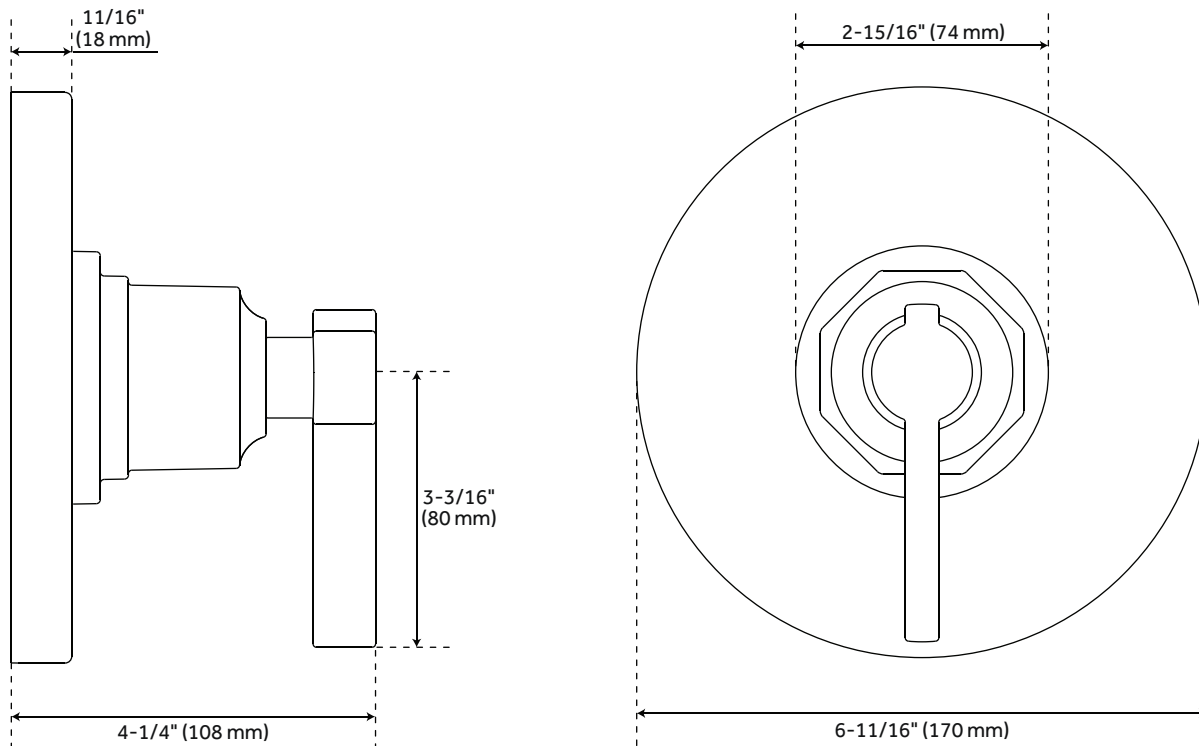
TRIM PAGE 2
ROUGH-IN VALVE PAGE 3

REVISED 04/06/2021

GREYFIELD

PRESSURE BALANCE SHOWER VALVE TRIM

SKU: 948890



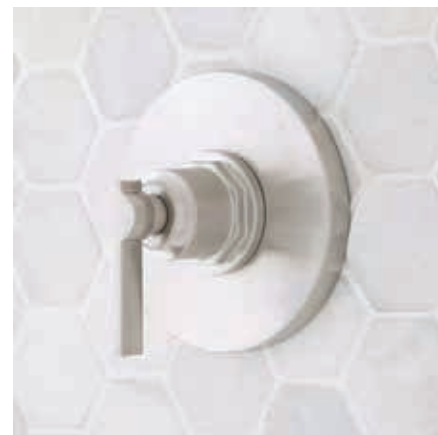
FEATURES

Material: Brass
Width: 6-11/16"
Height: 6-11/16"
Depth: 4-1/4"
Connection: 1/2"-14NPT

CODES/STANDARDS

cUPC
ASME A112.18.1/CSA B125.1
ICC/ANSI A117.1 (when installed
according to ADA standards)
Massachusetts Accepted

PRODUCT IMAGE



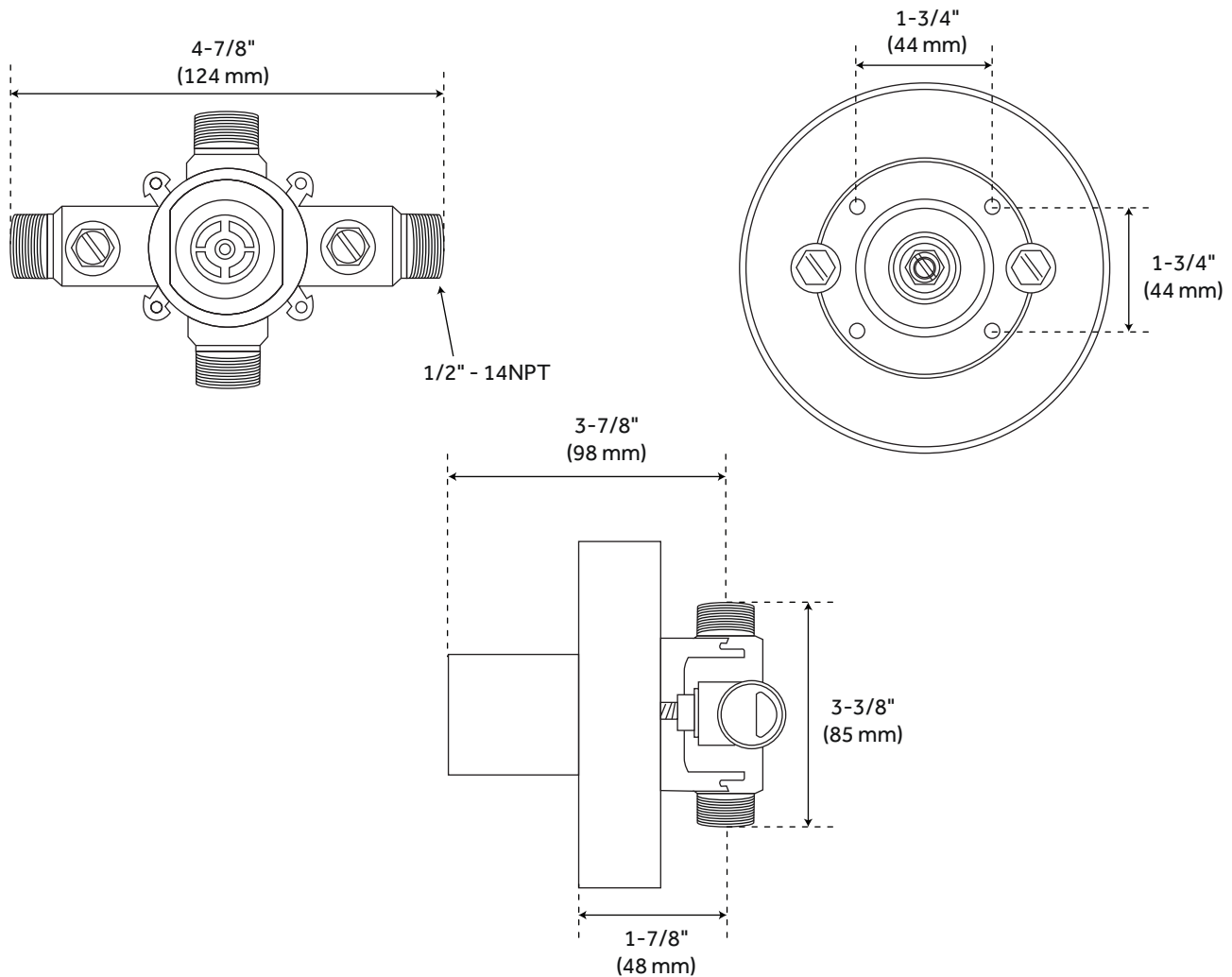
All dimensions and specifications are nominal and may vary. Use actual products for accuracy in critical situations.

PAGE 2
Code: SHGF8010

GREYFIELD

OPTIONAL PRESSURE BALANCE TUB AND SHOWER ROUGH-IN VALVE

SKU: 948890



FEATURES

Material: Bronze
Connection: $1/2" - 14\text{NPT}$

CODES/STANDARDS

cUPC
ASME A112.18.1/CSA B125.1
ASSE 1016 Type P
Massachusetts Accepted

PRODUCT IMAGE



All dimensions and specifications are nominal and may vary. Use actual products for accuracy in critical situations.

PAGE 3
Code: SH4001