

# VILAMONTE

## PRESSURE BALANCE SHOWER TRIM

SKU: 948897



### FEATURES

Shape: Square  
Handle Type: Lever  
Installation Type: Wall Mount  
Features: Pressure-Balanced  
Assembly Required: No  
Design: Modern  
Metal Handle

#### Optional Rough-In Valve:

Pressure Balance Valve  
With Integral Stops  
One-Piece Cartridge Design  
for Ease of Maintenance  
Back-to-Back Capability  
Ceramic Disc Valve Cartridge  
Adjustable Temperature Limit Stop  
Quick Remove Plaster Guard  
Easy Mounting Brackets

### CONTENTS

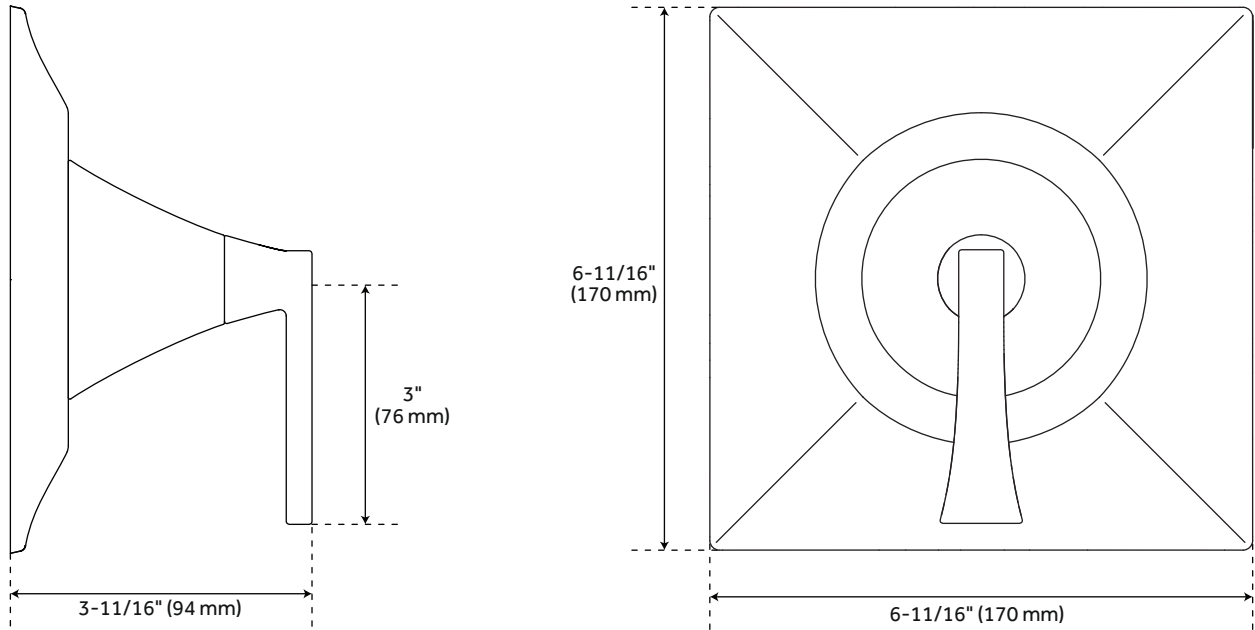
TRIM ..... PAGE 2  
ROUGH-IN VALVE ..... PAGE 3

REVISED 04/06/2021

# VILAMONTE

## PRESSURE BALANCE SHOWER TRIM

SKU: 948897



### FEATURES

Material: Brass  
Width: 6-11/16"  
Height: 6-11/16"  
Depth: 3-11/16"  
Connection: 1/2" NPT

### CODES/STANDARDS

cUPC  
ASME A112.18.1/CSA B125.1  
ICC/ANSI A117.1 (when installed  
according to ADA standards)  
Massachusetts Accepted

### PRODUCT IMAGE



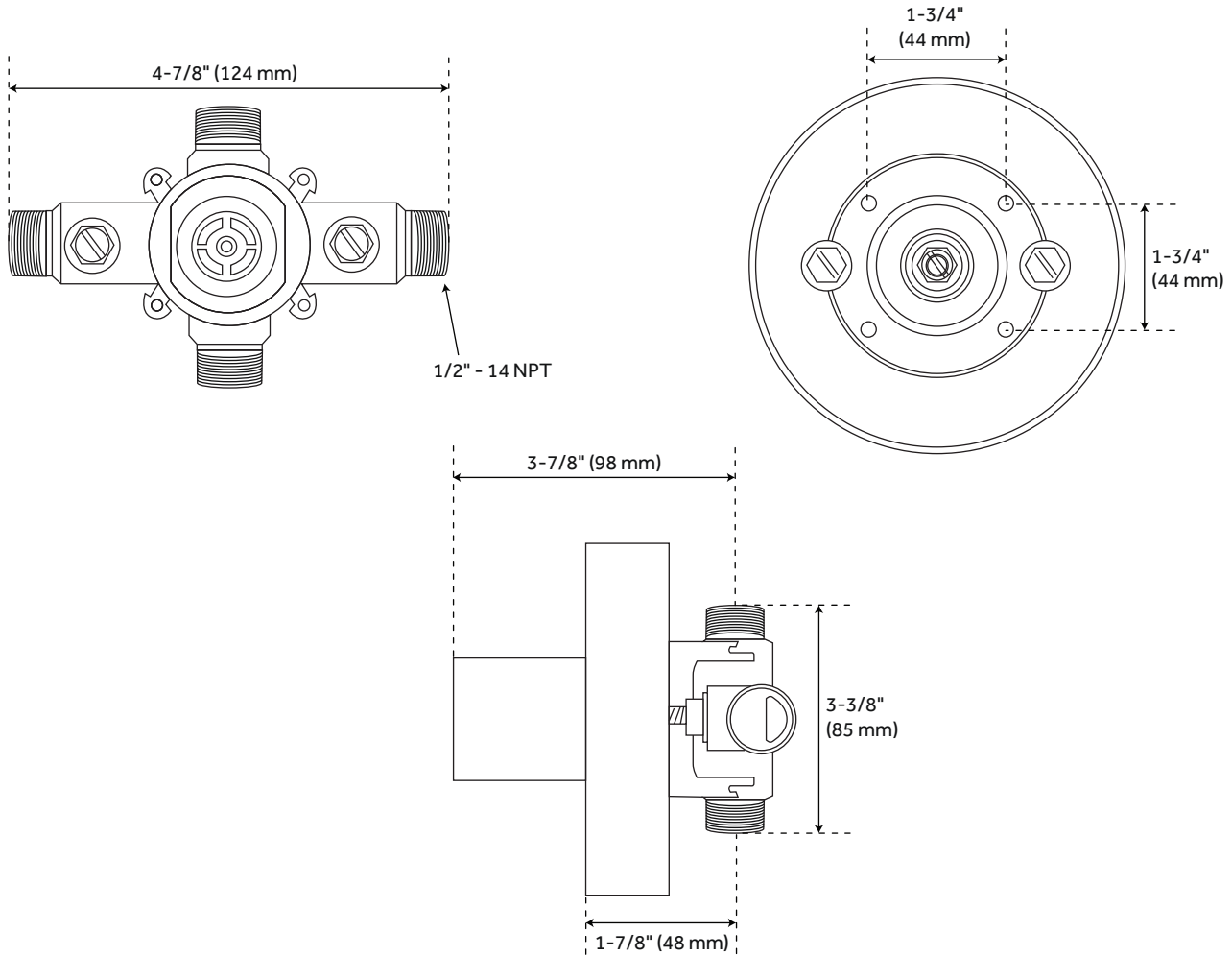
All dimensions and specifications are nominal and may vary. Use actual products for accuracy in critical situations.

PAGE 2  
Code: SHVL8010

# VILAMONTE

## OPTIONAL PRESSURE BALANCE TUB & SHOWER ROUGH-IN VALVE

SKU: 948897



### FEATURES

Material: Bronze  
Connection: 1/2" - 14 NPT

### CODES/STANDARDS

cUPC  
ASME A112.18.1/CSA B125.1  
ASSE 1016 Type P  
Massachusetts Accepted

### PRODUCT IMAGE



All dimensions and specifications are nominal and may vary. Use actual products for accuracy in critical situations.

PAGE 3  
Code: SH4001