

VILAMONTE

PRESSURE BALANCE TUB & SHOWER SET

SKU: 948888



CONTENTS

SHOWER SET	PAGE 2
ROUGH-IN VALVE	PAGE 3

FEATURES

Material: Brass
Shape: Square
Handle Type: Lever
Installation Type: Wall Mount
Assembly Required: No
Design: Modern
Shower Head Material: ABS
Shower Head Spray: Single Function
Shower Arm Included: Yes
Shower Head Swivel: Yes
Diverter Included: Yes
Metal Handle
Slip-Fit Tub Spout

Optional Rough-In Valve:

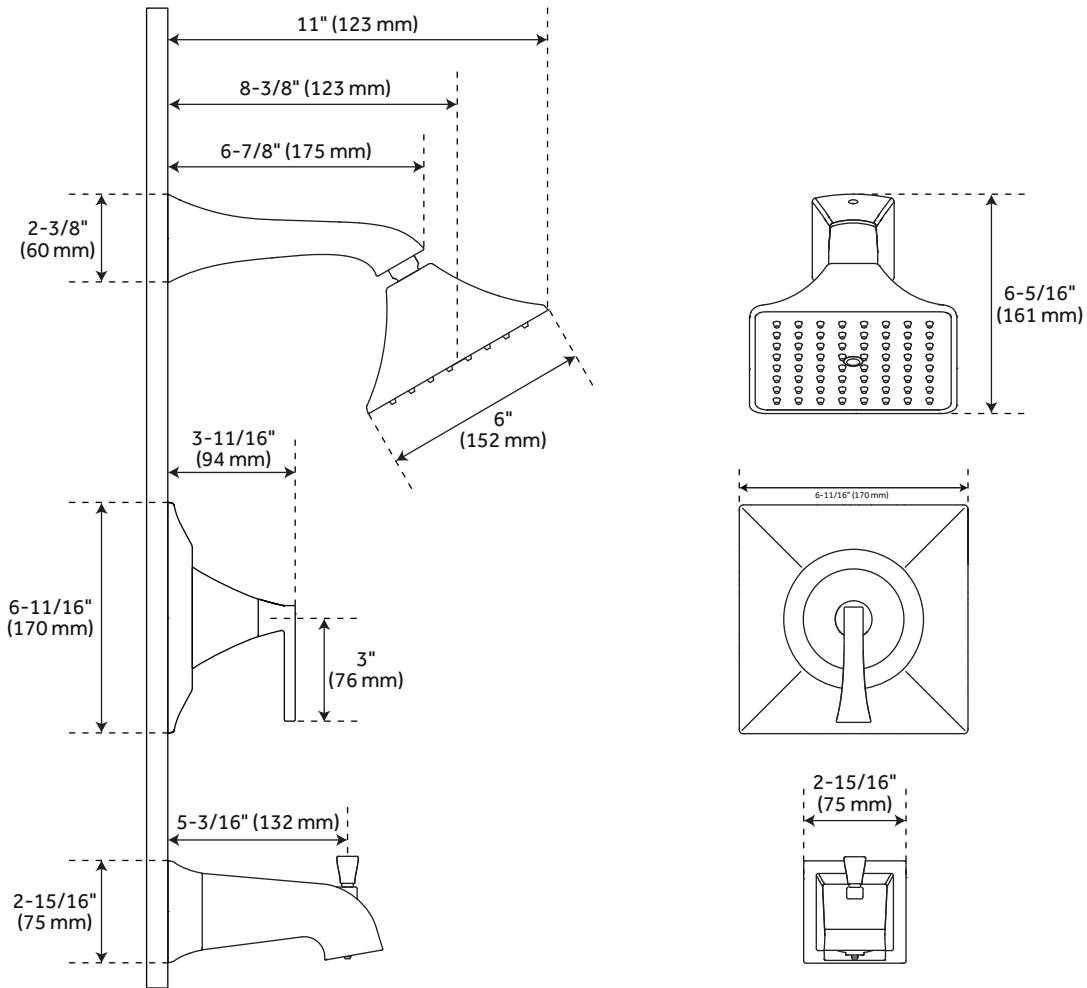
Pressure Balance Valve With Integral Stops
One-Piece Cartridge Design
for Ease of Maintenance
Back-to-Back Capability
Ceramic Disc Valve Cartridge
Cast Bronze Valve Body
Adjustable Temperature Limit Stop
Quick Remove Plaster Guard
Easy Mounting Brackets

REVISED 04/06/2021

VILAMONTE

PRESSURE BALANCE TUB & SHOWER SET

SKU: 948888



FEATURES

- Shower Head Length: 6"
- Shower Head Width: 6"
- Shower Arm Extension: 6-7/8"
- Shower Head Connection: 1/2" IPS
- Tub Filler Spout Reach: 5-3/16"
- Valve Trim Width: 6-11/16"
- Valve Trim Height: 6-11/16"
- Connection: 1/2" NPT
- Shower Head Flow Rate: 1.8 gpm (6.8 L/min) max @ 80 psi

CODES/STANDARDS

- cUPC
- ASME A112.18.1/CSA B125.1
- ICC/ANSI A117.1 (when installed according to ADA standards)
- WaterSense
- Massachusetts Accepted

PRODUCT IMAGE



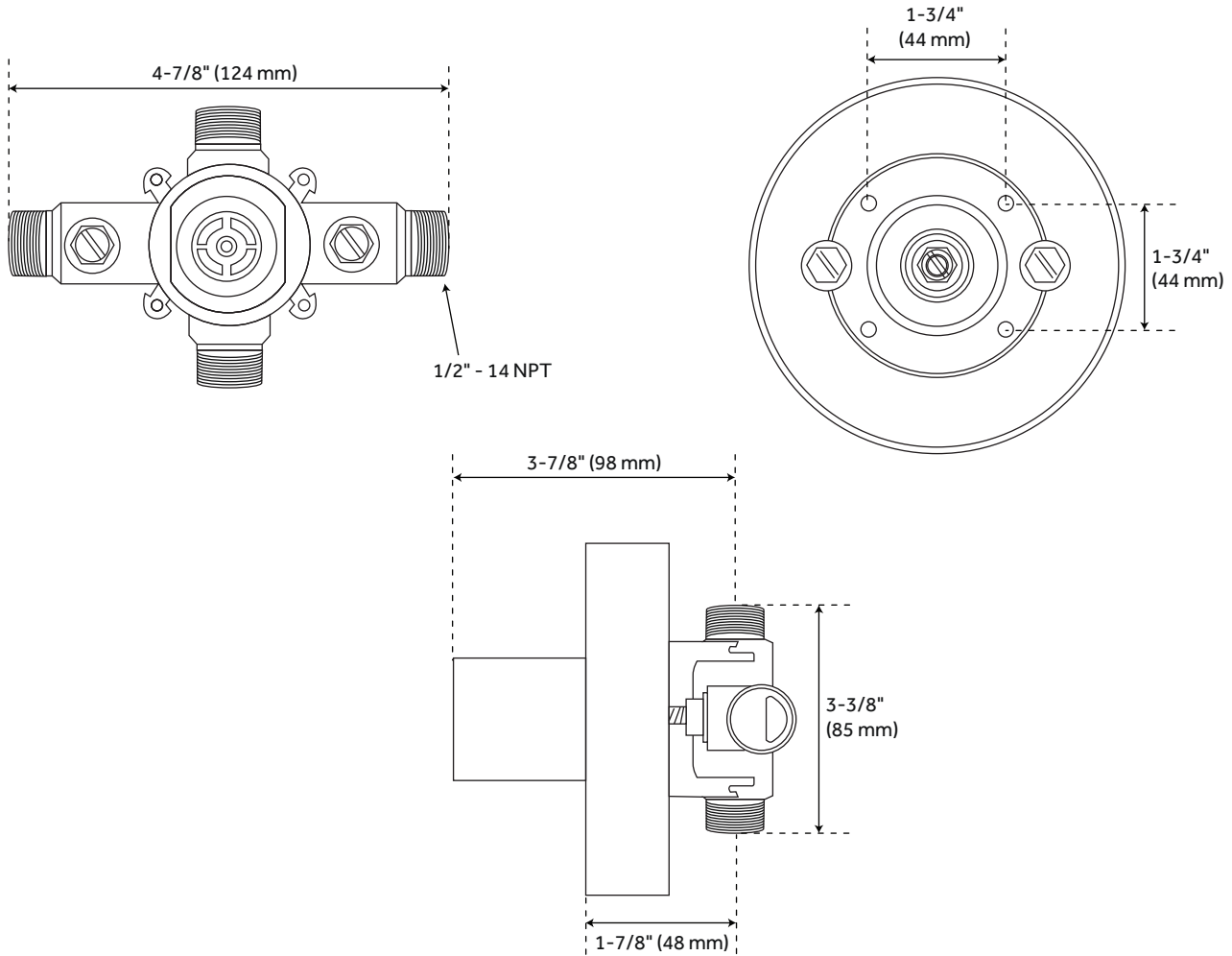
All dimensions and specifications are nominal and may vary. Use actual products for accuracy in critical situations.

PAGE 2
Code: SHVL8030G

VILAMONTE

OPTIONAL PRESSURE BALANCE TUB & SHOWER ROUGH-IN VALVE

SKU: 948888



FEATURES

Material: Bronze
Connection: 1/2" - 14 NPT

CODES/STANDARDS

cUPC
ASME A112.18.1/CSA B125.1
ASSE 1016 Type P
Massachusetts Accepted

PRODUCT IMAGE



All dimensions and specifications are nominal and may vary. Use actual products for accuracy in critical situations.

PAGE 3
Code: SH4001