

VILAMONTE

PRESSURE BALANCE SHOWER SET

SKU: 948668



FEATURES

- Material: Brass
- Shape: Square
- Handle Type: Lever
- Installation Type: Wall Mount
- Assembly Required: No
- Design: Modern
- Installation Type: Wall
- Shower Head Material: ABS
- Shower Head Spray: Single Function
- Shower Arm Included: Yes
- Shower Head Swivel: Yes

CONTENTS

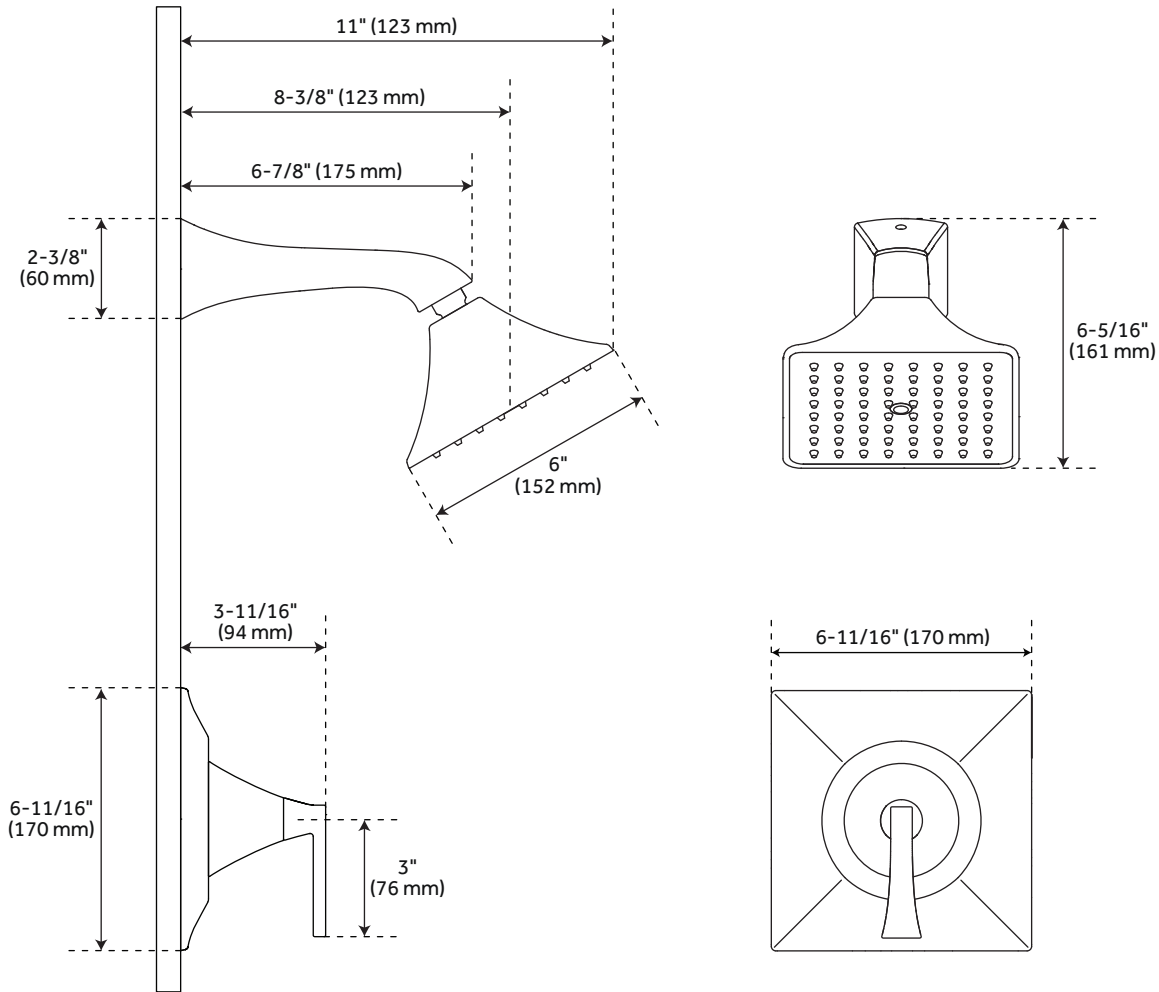
- SHOWER SET PAGE 2
- ROUGH-IN VALVE PAGE 3

REVISED 04/05/2021

VILAMONTE

PRESSURE BALANCE SHOWER SET

SKU: 948668



FEATURES

- Shower Head Length: 6"
- Shower Head Width: 6"
- Shower Arm Extension: 6-7/8"
- Shower Head IPS: 1/2"
- Valve Trim Width: 6-11/16"
- Valve Trim Height: 6-11/16"
- NPT Connection: 1/2"
- Shower Head Flow Rate:
1.8 gpm (6.8 L/min) max @ 80 psi

CODES/STANDARDS

- cUPC
- ASME A112.18.1/CSA B125.1
- ICC/ANSI A117.1 (when installed
according to ADA standards)
- WaterSense
- CEC Listed
- Massachusetts Accepted

PRODUCT IMAGE



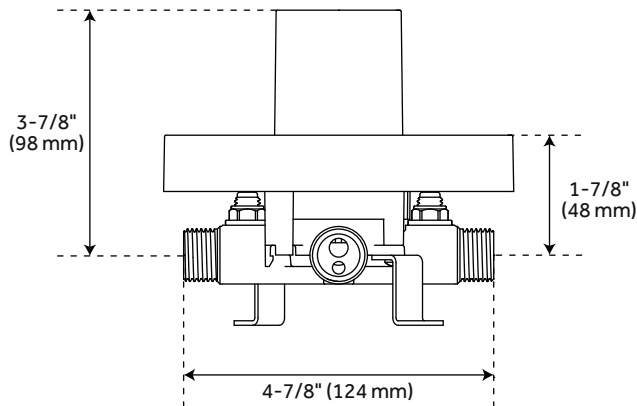
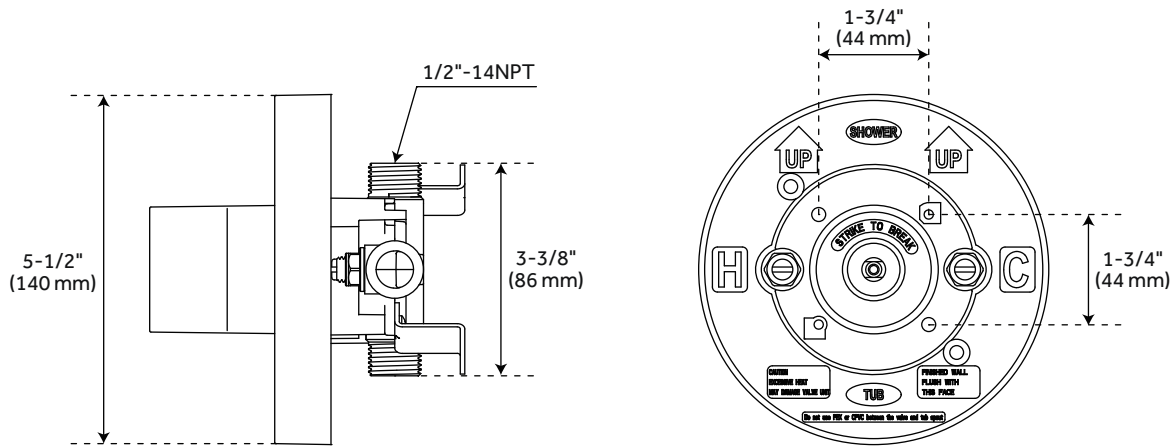
All dimensions and specifications are nominal and may vary. Use actual products for accuracy in critical situations.

PAGE 2
Code: SHVL8020G

VILAMONTE

OPTIONAL PRESSURE BALANCE TUB AND SHOWER ROUGH IN VALVE

SKU: 948668



FEATURES

- Pressure Balance Valve
- With Integral Stops
- One-Piece Cartridge Design for Ease of Maintenance
- Back-to-Back Capability
- Ceramic Disc Valve Cartridge
- Cast Bronze Valve Body
- Adjustable Temperature Limit Stop
- Quick Remove Plaster Guard
- Easy Mounting Brackets

CODES/STANDARDS

- cUPC
- ASME A112.18.1/CSA B125.1
- Massachusetts Accepted

PRODUCT IMAGE



All dimensions and specifications are nominal and may vary. Use actual products for accuracy in critical situations.

PAGE 3
Code: SH4001