

VILAMONTE

FREESTANDING TUB FAUCET WITH HAND SHOWER

SKU: 948665



CONTENTS

FAUCET AND HAND SHOWER	PAGE 2
ROUGH-IN VALVE	PAGE 3

FEATURES

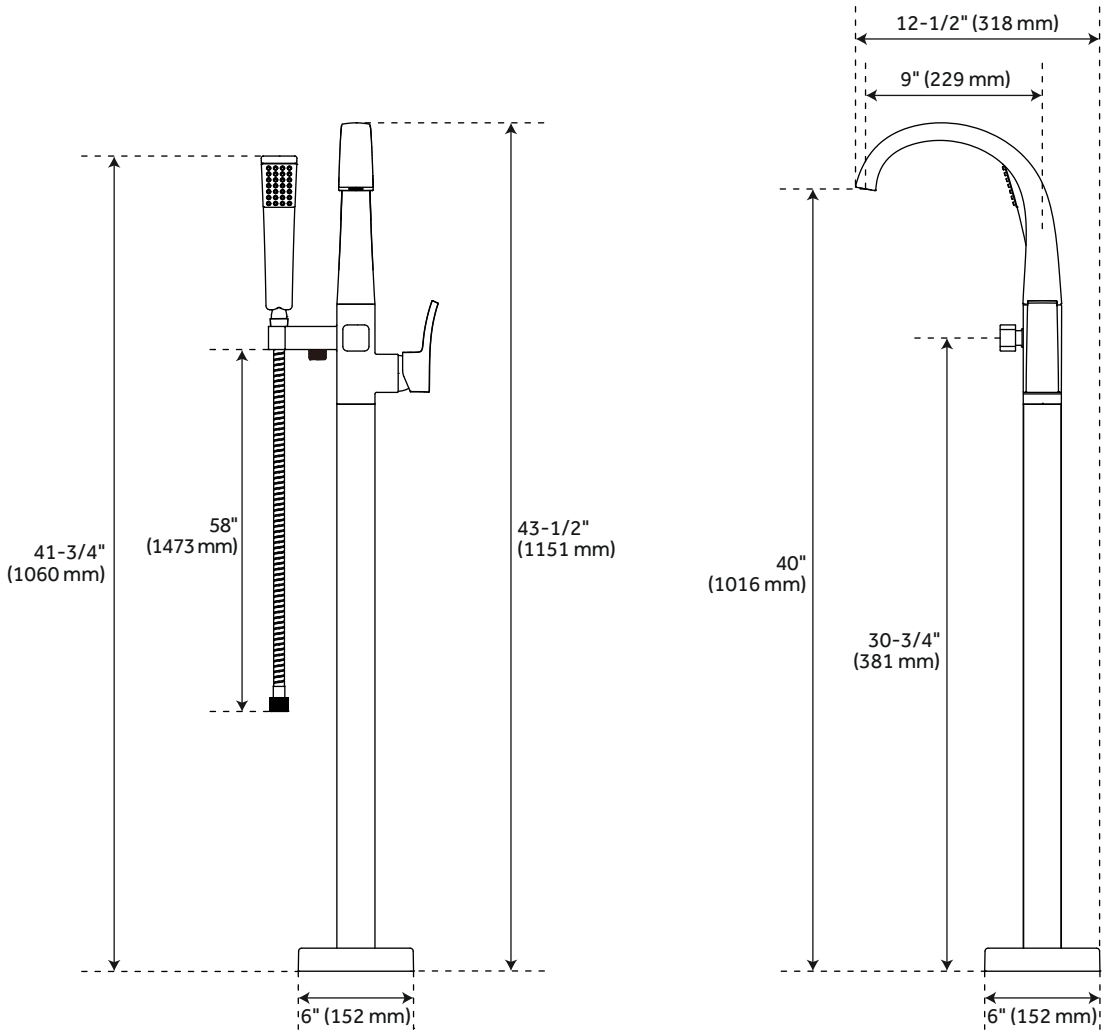
- Installation Type: Freestanding
- Design: Modern
- Faucet Centers: Single-Hole
- Handle Type: Lever
- Features: Hand Shower Included
- Tub Faucet Material: Brass
- Handle Material: Metal
- Drain Included: No
- Ceramic Disc Cartridges: Yes
- Hand Shower Material: Zinc
- Single Function Hand Shower (Full Spray)
- Integral Diverter to Hand Shower
- Handshower Includes Factory Installed
Backflow Prevention Check Valve
- Optional Rough-In Valve Includes Stops
- Underfloor Access is Required
for Proper Installation
- Installation on an Existing Concrete Slab Will
Require Cutting and Concrete Removal

REVISED 04/23/2021

VILAMONTE

FREESTANDING TUB FAUCET WITH HAND SHOWER

SKU: 948665



FEATURES

- Width: 12-1/2"
- Height: 43-1/2"
- Height to Spout: 40"
- Height to Control Valve: 30-3/4"
- Spout Reach: 9"
- Base Plate Length: 6"
- Base Plate Width: 6"
- Hand Shower Hose Length: 58"
- Spout Flow Rate:
 - 8 gpm (30 L/min) @ 60 psi
- Hand Shower Flow Rate:
 - 1.8 gpm (6.8 L/min) max @ 80 psi

CODES/STANDARDS

- cUPC
- ASME A112.18.1/CSA B125.1
- ASME A112.18.3
- WaterSense
- CEC Listed
- Massachusetts Accepted

PRODUCT IMAGE



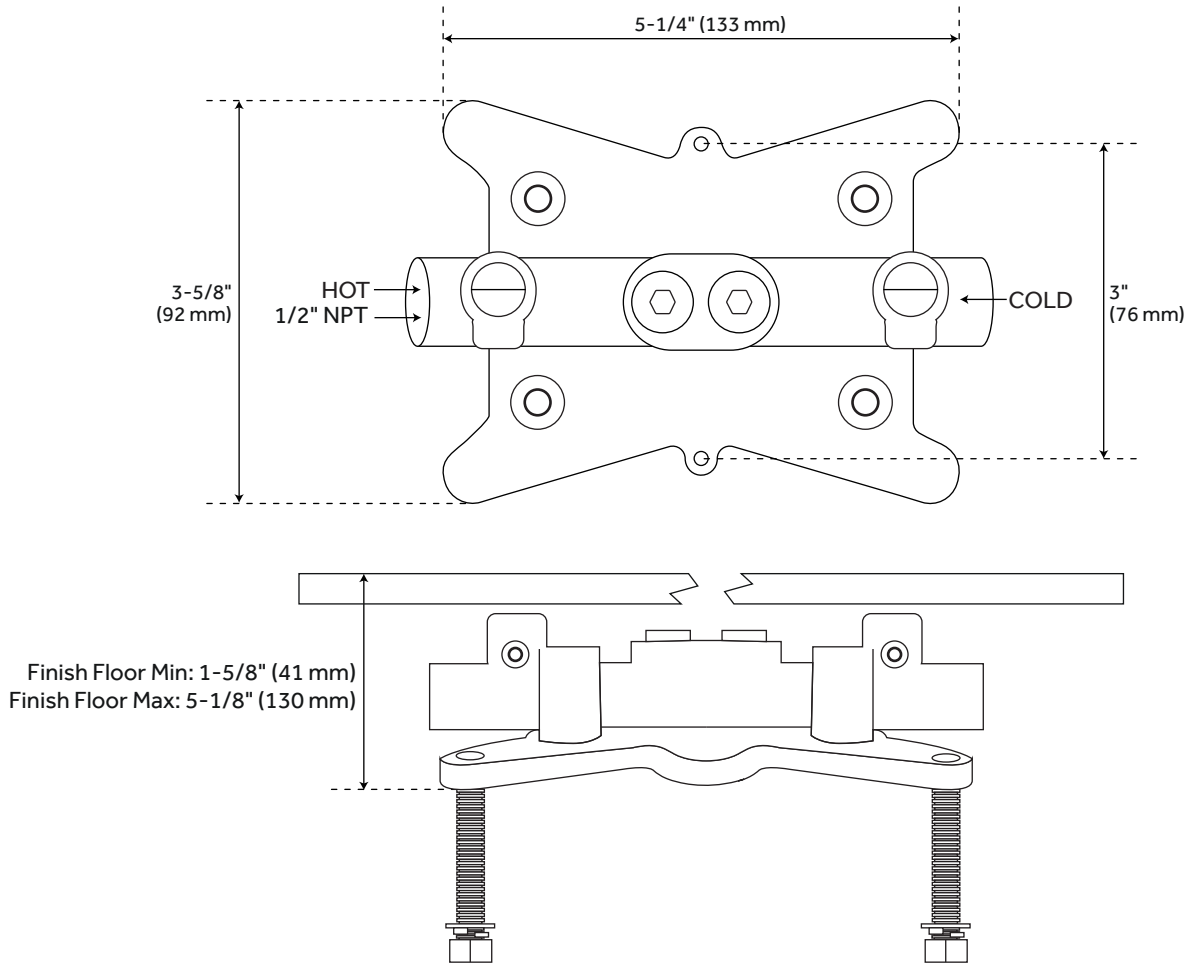
All dimensions and specifications are nominal and may vary. Use actual products for accuracy in critical situations.

PAGE 2
Code: SHVLFS2000G

VILAMONTE

OPTIONAL FREESTANDING TUB FAUCET ROUGH-IN VALVE

SKU: 948665



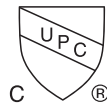
FEATURES

Material: Brass
Length: 5-1/4"
Width: 3-5/8"
Height: 5-1/8"
Connection: 1/2"-14 NPT

CODES/STANDARDS

cUPC
ASME A112.18.1/CSA B125.1
Massachusetts Accepted

PRODUCT IMAGE



All dimensions and specifications are nominal and may vary. Use actual products for accuracy in critical situations.

PAGE 3
CODE: SHFSR2000WS