

GREYFIELD

3-HOLE ROMAN TUB FAUCET

SKU: 949851



FEATURES

- 3-Hole Installation
- Installation Type: Deck Mount
- Design: Modern
- Handle Type: Lever
- Features: Gooseneck
- Tub Faucet Material: Brass
- Hot and Cold Indicators: Yes
- Drain Included: No
- Ceramic Disc Cartridges: Yes
- Optional Rough-In Valve
- Brass Coupling Nut

CONTENTS

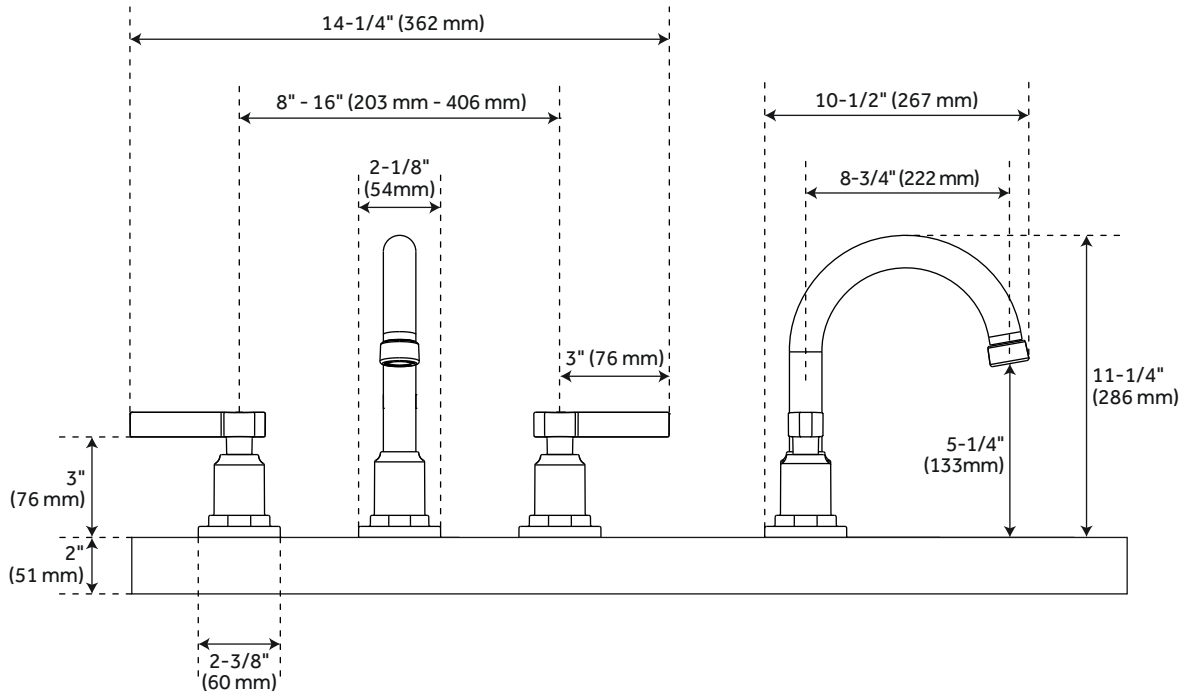
TUB FAUCET	PAGE 2
ROUGH-IN VALVE	PAGE 3

REVISED 04/15/2021

GREYFIELD

3-HOLE ROMAN TUB FAUCET

SKU: 949851



FEATURES

- Faucet Centers: 8" - 16"
- Max. Deck Thickness: 2"
- Length Based on 8" Centered
- Faucet Holes: 14-1/4"
- Width: 10-1/2"
- Height: 11-1/4"
- Height to Spout: 5-1/4"
- Spout Reach: 8-3/4"
- Base Plate Diameter: 2-3/8"
- Flow Rate: 19 gpm (71.9 L/min) @ 80 psi

CODES/STANDARDS

- cUPC
- ASME A112.18.1/CSA B125.1
- ICC/ANSI A117.1 (when installed according to ADA standards)
- Massachusetts Accepted

PRODUCT IMAGE



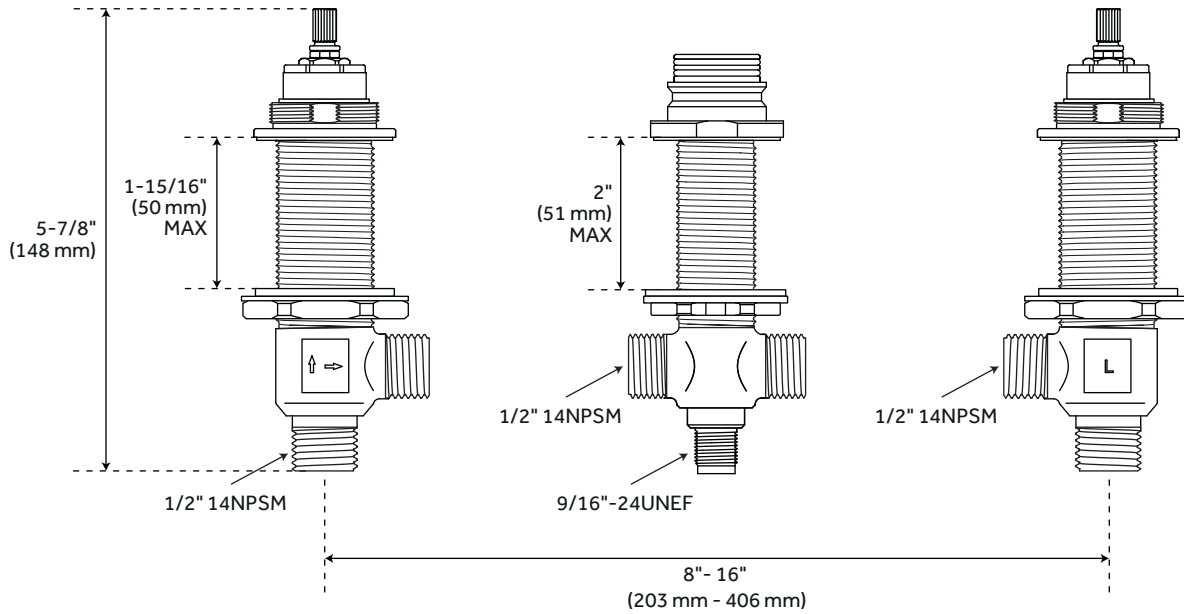
All dimensions and specifications are nominal and may vary. Use actual products for accuracy in critical situations.

PAGE 2
Code: SHGF3RT

GREYFIELD

OPTIONAL 3-HOLE ROMAN TUB FAUCET ROUGH-IN VALVE

SKU: 949851



FEATURES

Installation Type: Deck Mount
Material: Brass
Ceramic Disc Cartridges: Yes
Brass Coupling Nut
Test Cap Included
Faucet Centers: 8" to 16"
Max. Deck Thickness: 2"
Flow Rate: 8 gpm @ 20 psi

CODES/STANDARDS

cUPC
ASME A112.18.1/CSA B125.1
ANSI A117.1 (when installed
according to ADA standards)
Massachusetts Accepted

PRODUCT IMAGE



All dimensions and specifications are nominal and may vary. Use actual products for accuracy in critical situations.

PAGE 3
Code: SH674163