

# VILAMONTE

## 3-HOLE ROMAN TUB FAUCET

SKU: 948685



### FEATURES

Installation Type: Deck Mount  
Design: Modern  
Handle Type: Lever  
Tub Faucet Material: Brass  
Handle Material: Metal  
Drain Included: No  
Ceramic Disc Cartridges: Yes  
3-Hole Installation

### CONTENTS

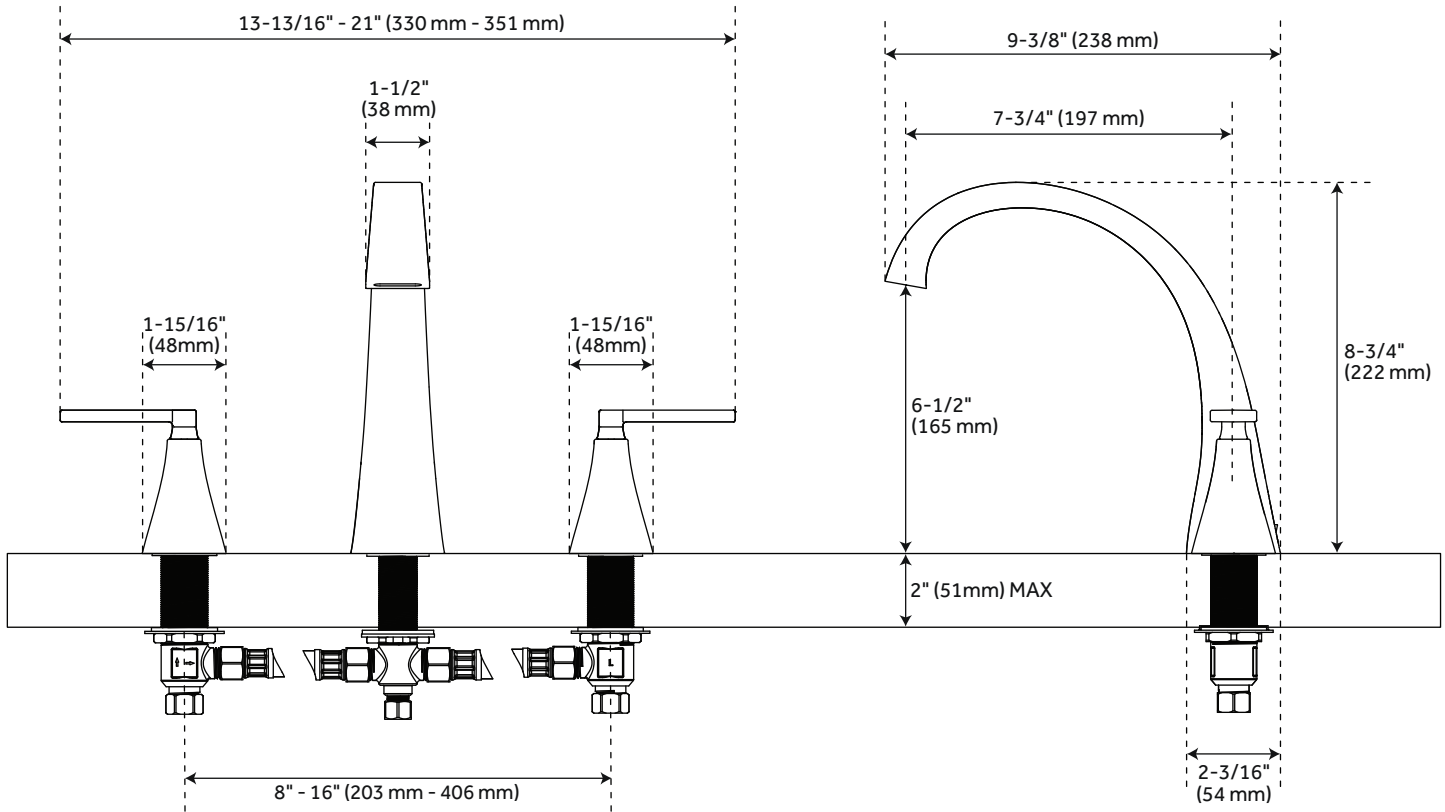
TUB FAUCET ..... PAGE 2  
ROUGH-IN VALVE ..... PAGE 3

REVISED 04/06/2021

# VILAMONTE

## 3-HOLE ROMAN TUB FAUCET

SKU: 948685



### FEATURES

- Faucet Centers: 8" - 16"
- Max. Deck Thickness: 2"
- Width: 9-3/8"
- Height: 8-3/4"
- Height to Spout: 6-1/2"
- Spout Reach: 7-3/4"
- Spout Width: 1-1/2"
- Deck Thickness Max. 1.5" or Screws Can Be Removed to Accommodate Thicker Deck Installations Up To 2"

### CODES/STANDARDS

- cUPC
- ASME A112.18.1/CSA B125.1
- ICC/ANSI A117.1 (when installed according to ADA Standards)
- Massachusetts Accepted

### PRODUCT IMAGE



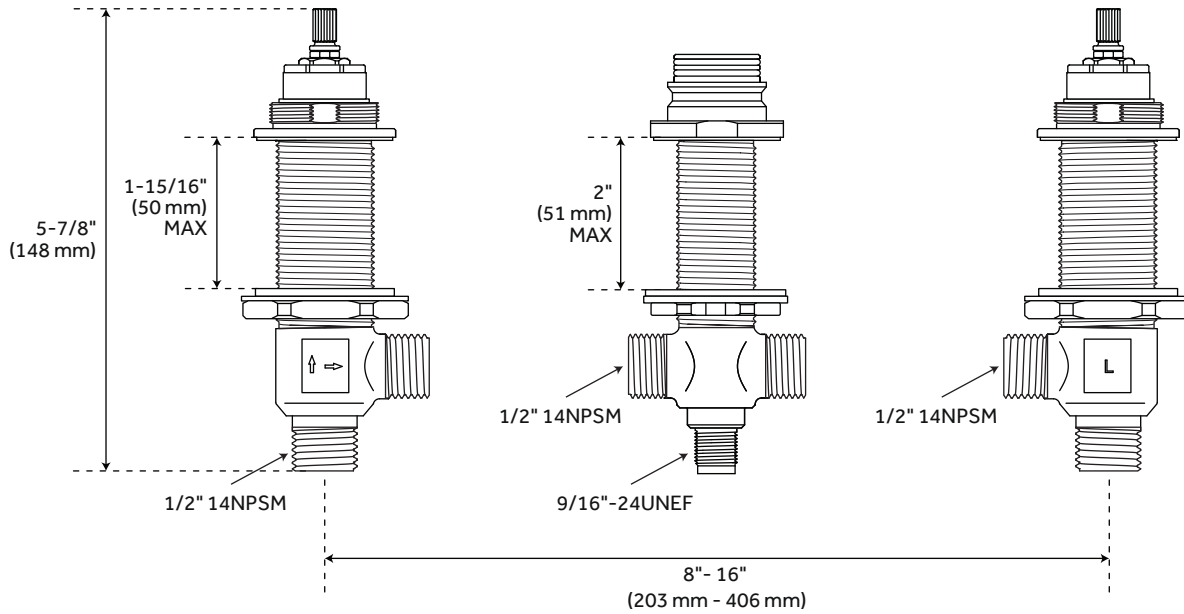
All dimensions and specifications are nominal and may vary. Use actual products for accuracy in critical situations.

PAGE 2  
Code: SHVL3RT

# VILAMONTE

## OPTIONAL 3-HOLE ROMAN TUB FAUCET ROUGH-IN VALVE

SKU: 948685



### FEATURES

Installation Type: Deck Mount  
Material: Brass  
Ceramic Disc Cartridges: Yes  
Brass Coupling Nut  
Test Cap Included  
Faucet Centers: 8" to 16"  
Max. Deck Thickness: 2"  
Flow Rate: 8 gpm @ 20 psi

### CODES/STANDARDS

cUPC  
ASME A112.18.1/CSA B125.1  
ANSI A117.1 (when installed  
according to ADA standards)  
Massachusetts Accepted

### PRODUCT IMAGE



All dimensions and specifications are nominal and may vary. Use actual products for accuracy in critical situations.

PAGE 3  
Code: SH674163