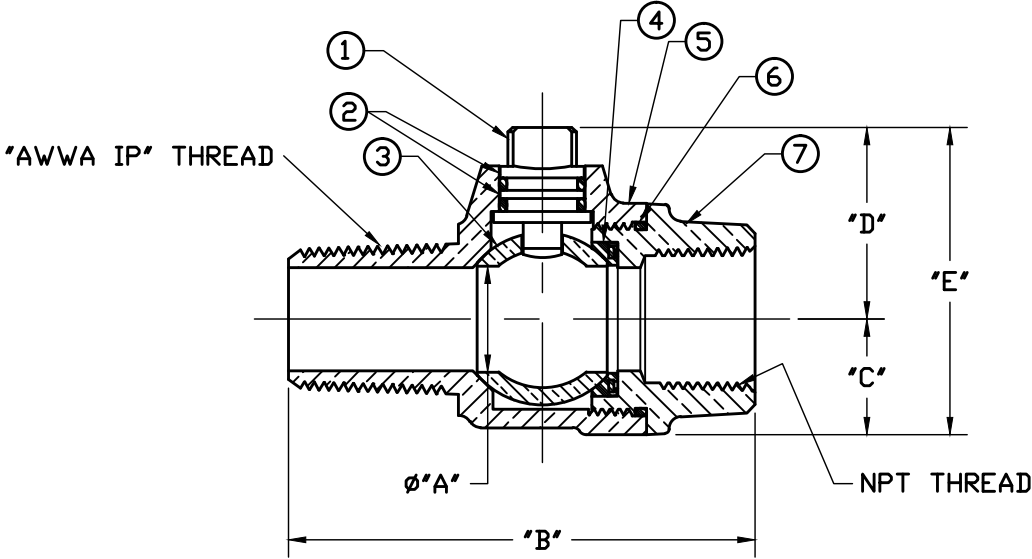


No.	QTY.	DESCRIPTION	MATERIAL
1	1	STEM	LOW LEAD BRASS ALLOY
2	2	O-RING	EPDM D2000
3	1	BALL	LOW LEAD BRASS ALLOY
4	1	GASKET - SEAL	NITRILE D2000
5	1	BODY	CAST LOW LEAD BRASS ALLOY
6	1	O-RING	EPDM D2000
7	1	END PIECE	CAST LOW LEAD BRASS ALLOY



SIZE	ØA	B	C	D	E
3/4	.75	3.38	.84	1.36	2.20
3/4x1	.75	3.62	.84	1.39	2.23
1	1.00	4.11	1.15	1.56	2.71
1-1/2	1.50	4.78	1.50	2.12	3.62
2	2.00	5.33	1.82	2.44	4.26

PART NUMBER
E1931
JJ-MRKTG

FILEPATH: PRDD-ENG\JJ\SUBMITTALS\E1931

DRFTR	Garvin	12/14/09	JAMES JONES CO.	
CHKR				
ENGR				
MGR				
BY		DATE	UNLESS OTHERWISE NOTED	THIRD ANGLE PROJECTION
STK No:			SURFACE PREPARATION:	REF. No.
MAT'L:			BREAK CORNER(S) ---- .000	SCALE
DESCR.			SURFACE FINISH -- XX RMS	
REV	ECR	DESCRIPTION	TOLERANCE(S):	PART NUMBER
			LINEAR ----- ± .000	E1931
			ANGULAR ----- ± 0°00'	

BALL TYPE CORPORATION VALVE
LOW LEAD BRASS ("MIP" x FIP)