


## FAUCET DESCRIPTION

- Metal construction with various finishes identified by suffix
- For use with S3371, 3/4" thermostatic valve (sold separately)
- Pairs with T4292 volume control valve trim and S3600 volume control valve (sold separately)

## OPERATION

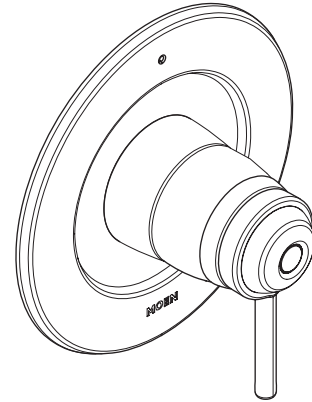
- Flow lever operates counterclockwise through a 90° arc with shut off at 6 o'clock and maximum flow at the 3 o'clock position. Shut off in clockwise direction
- Temperature lever operates through a 340° arc with maximum cold at full clockwise rotation and maximum hot at full counterclockwise rotation
- Safety stop preset temperature at 105°F (41°C)
- Safety stop override allows maximum temperature at 120°F (49°C)
- Factory established temperature range from 70°F (21°C) to 120°F (49°C)

## STANDARDS

- Third party certified to: ASME A112.18./CSA B-125.1, ASSE1016 and all applicable requirements referenced therein
- **ADA**  for lever handle

## WARRANTY

- Lifetime limited warranty against leaks, drips and finish defects to the original homeowner
  - 10 year limited warranty when used in a multifamily installation
  - 5 year limited warranty when used in a commercial installation
- Visit [www.moen.com/support](http://www.moen.com/support) for complete details and limitations

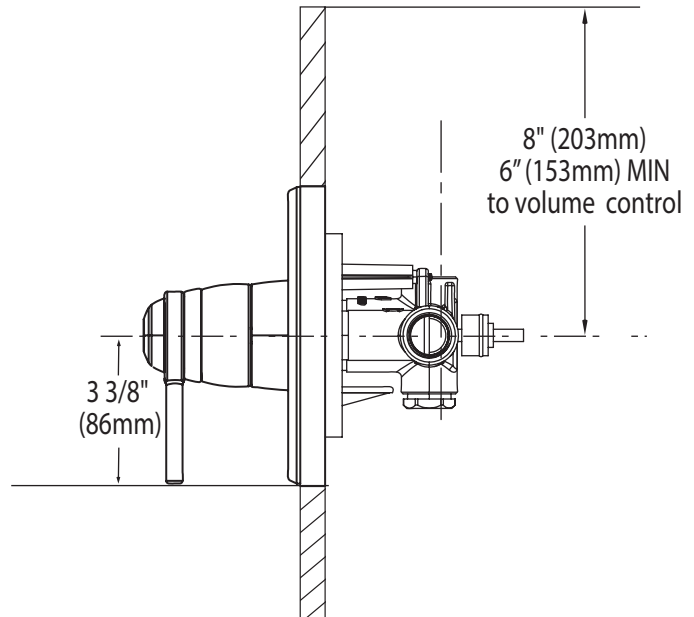
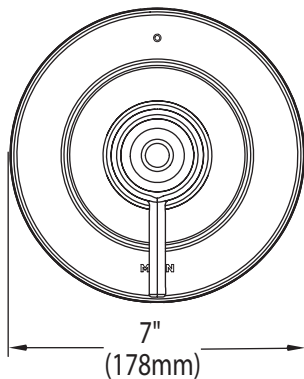


### ALIGN™

### 3/4" Thermostatic Shower Trim

**Models:** T4291 series - Valve Trim only

**Valve Models:** S3371 (sold separately)



## CRITICAL DIMENSIONS

(DO NOT SCALE)