

#### Features

- Three-function pull-down sprayhead with touch control allows you to switch between aerated stream, ring spray and Boost technology.
- Boost technology increases the flow rate by 30% with the press of a button. Use Boost with stream for faster filling or with ring spray for more powerful cleaning.
- DockNetik® magnetic docking system securely locks the sprayhead into place when not in use.
- ProMotion® technology allows the pull-down sprayhead to swivel for more comfortable use.
- MasterClean™ sprayface withstands mineral buildup to wipe clean easily without cleaning products.
- High-arch swing spout offers vertical clearance for tall cookware and pitchers.
- Single lever handle makes adjusting water temperature easy.
- 1.5 gpm (5.7 lpm) maximum flow rate at 60 psi (4.1 bar).
- Temperature memory allows faucet to be turned on and off at the temperature set during prior usage.
- KOHLER® ceramic disc valves exceed industry longevity standards, ensuring durable performance for life.

#### Material

- Premium metal construction for durability and reliability.
- KOHLER finishes resist corrosion and tarnishing.

#### Installation

- Single-hole or three-hole installation (escutcheon plate included).
- Flexible supply lines simplify installation.

#### Recommended Products/Accessories

K-77685 Single-Cartridge Water Filtration System  
 K-77686 Double-Cartridge Water Filtration System  
 K-77687 single replacement filter cartridge  
 K-77688 Replacement Filter Cartridges, Two-Pack

#### Optional Products/Accessories

1012715 Kitchen Faucet Deep Rough-In Kit



ADA CSA B651

#### Codes/Standards




ASME A112.18.1/CSA B125.1  
 NSF/ANSI 61  
 NSF/ANSI 372  
 All applicable US Federal and State material regulations  
 DOE - Energy Policy Act 1992  
 California Energy Commission (CEC)  
 ADA  
 ICC/ANSI A117.1  
 CSA B651

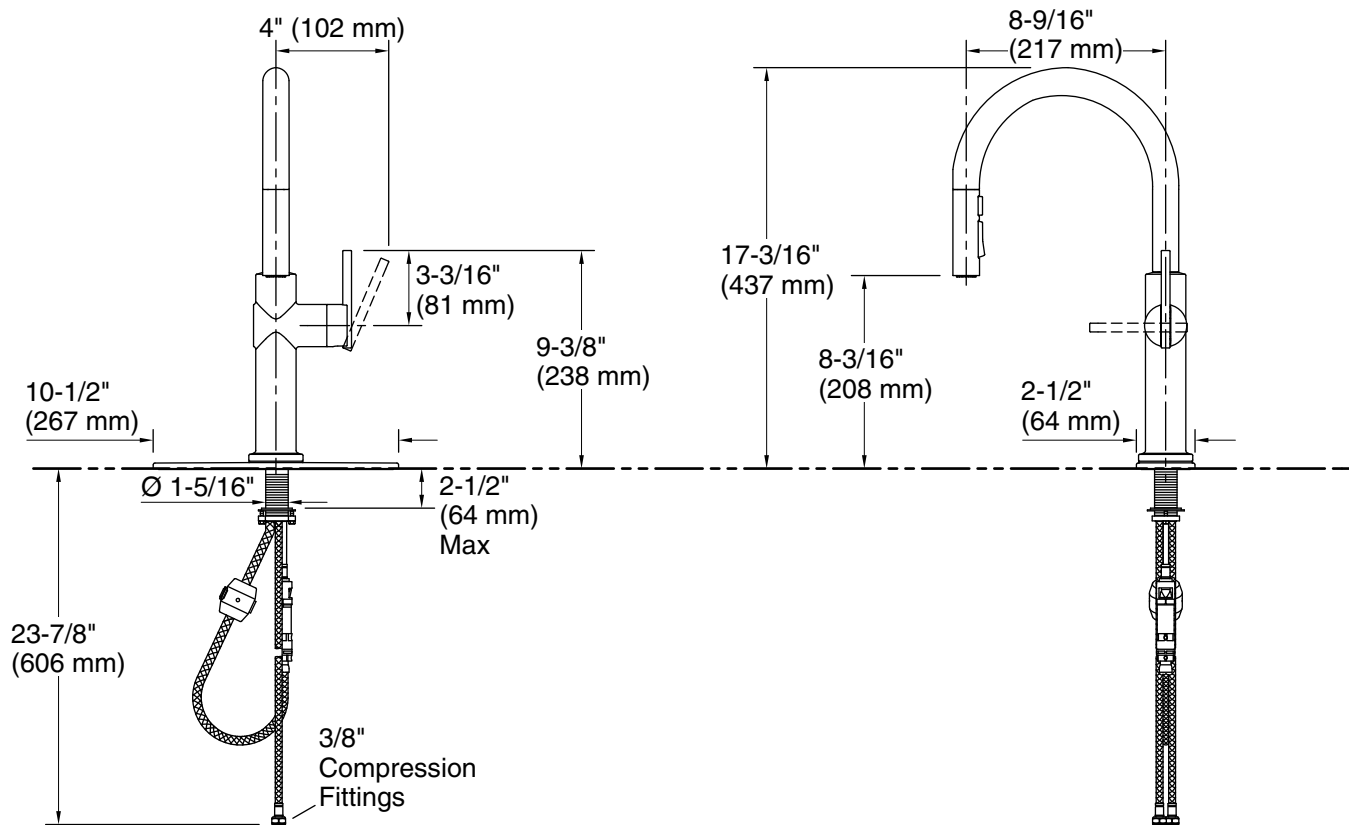
#### KOHLER® Faucet Lifetime Limited Warranty

See website for detailed warranty information.

#### Available Colors/Finishes

*Color tiles intended for reference only.*

Color	Code	Description
	CP	Polished Chrome
	VS	Vibrant® Stainless
	BL	Matte Black



### Technical Information

All product dimensions are nominal.

#### Faucet:

Flow rate: 1.5 gal/min (5.7 l/min)

Pressure: 60 psi (4.1 bar)

Valve body: Plastic

Fixture pressure max (static): 125 psi (861.8 kPa)

#### Pressure and Supply Requirements

Fixture pressure min (static): 20 psi (137.9 kPa)

#### Fixture Supply Requirements

Min static pressure: 20 psi (137.9 kPa)

Max static pressure: 125 psi (861.8 kPa)

### Notes

Install this product according to the installation instructions.

ADA, CSA B651 compliant when installed to the specific requirements of these regulations.