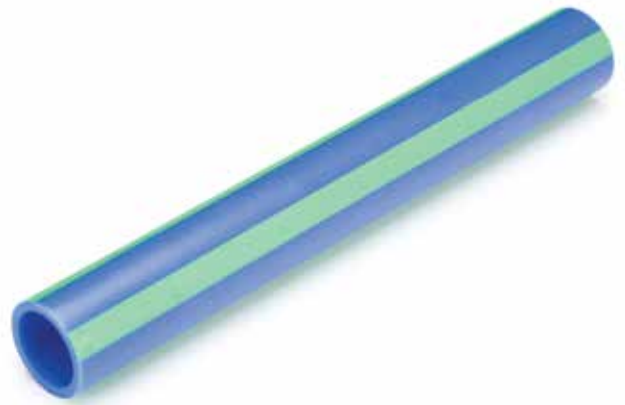


aquatherm blue pipe® SDR 7.4/11 MF

Material: fusiole® PP-R faser-composite

In accordance with:

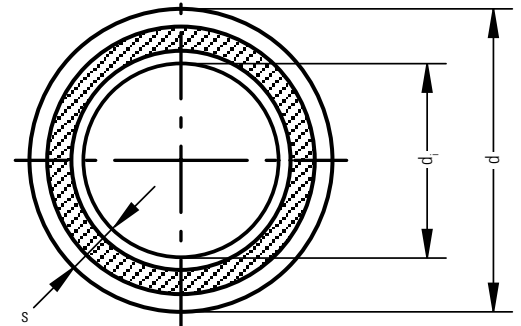
- NSF-14
- CSA-B137.11
- ICC AC 122
- ICC ESR 1613
- ASTM F 2389



Appearance: Blue with light green stripe.

NSF system certification: Including fittings, connection pieces, and connection techniques.

Fields of application: Heating and cooling applications, industrial applications, compressed air.



Pipe ^a		Diameter ^b	Wall thickness	Internal diameter	Water capacity	Weight ^c
Part no.	Dimension (ND — OD)	d (mm)	s (mm)	d, (mm)	gal/ft	lb/ft
2670708	½" — 20 mm SDR 7.4	20	2.8	14.4	0.013	0.11
2670710	¾" — 25 mm SDR 7.4	25	3.5	18	0.024	0.17
2670112	1" — 32 mm SDR 11	32	2.9	26.2	0.043	0.19
2670114	1 ¼" — 40 mm SDR 11	40	3.7	32.6	0.067	0.29
2670116	1 ½" — 50 mm SDR 11	50	4.6	40.8	0.105	0.45
2670118	2" — 63 mm SDR 11	63	5.8	51.4	0.167	0.72
2670120	2 ½" — 75 mm SDR 11	75	6.8	61.4	0.237	1.00
2670122	3" — 90 mm SDR 11	90	8.2	73.6	0.343	1.44
2670124	3 ½" — 110 mm SDR 11	110	10	90	0.512	2.13
2670126	4" — 125 mm SDR 11	125	11.4	102.2	0.661	2.77
2670130	6" — 160 mm SDR 11	160	14.6	130.8	1.082	4.52
2670134	8" — 200 mm SDR 11	200	18.2	163.6	1.692	7.04
2670138	10" — 250 mm SDR 11	250	22.7	204.6	2.646	10.95
2070142	12" — 315 mm SDR 11	315	28.6	257.8	4.201	17.26
2070144	14" — 355 mm SDR 11	355	33.3	290.5	5.387	21.91
2070146	16" — 400 mm SDR 11	400	36.3	327.6	6.787	27.82
2070148	18" — 450 mm SDR 11	450	40.9	368.2	8.573	35.21
The following items are supplied in coils (non-MF)						
2010308	½" — 20 mm SDR 11	20	1.9	16.2	0.017	0.11
2010310	¾" — 25 mm SDR 11	25	2.3	20.4	0.026	0.16
2010312	1" — 32 mm SDR 11	32	2.9	26.2	0.043	0.26

^a ½" - 4" pipes come in standard 13 ft lengths (4 m). Pipes 6" and larger come in standard 19 ft lengths (5.8 m).

^b To calculate exact dimensions of the pipe in imperial inches, divide the metric measurement by 25.4.

^c To calculate the weight of the pipe in kg/m, multiply the measurement by 1.5.