

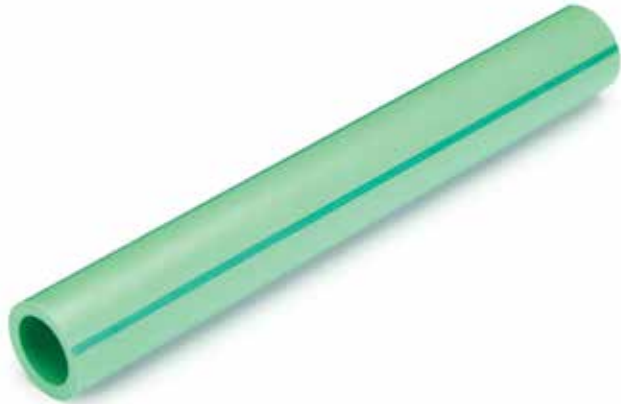
# PRODUCT RANGE - PIPE

## aquatherm green pipe® SDR 7.4 MF

**Material:** fusiolen® PP-R faser-composite

**In accordance with:**

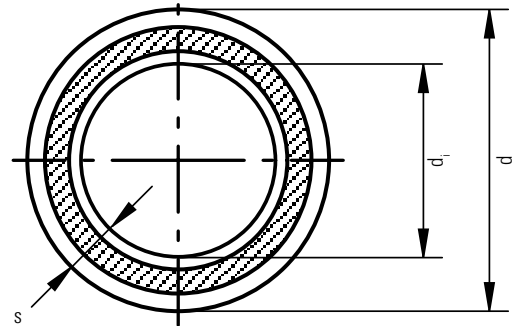
- NSF 14, 51 & 61
- CSA-B137.11
- ICC AC 122
- ICC ESR 1613
- ASTM F2389
- CFIA #A508
- FM 1635
- NFPA 13D



**Appearance:** Light green with dark green stripe.

**NSF system certification:** Including fittings, connection pieces, and connection techniques.

**Fields of application:** For high temperature, moderate pressure systems, particularly domestic hot water systems.



Pipe <sup>a</sup>		Diameter <sup>b</sup>	Wall thickness	Internal diameter	Water capacity	Weight <sup>c</sup>
Part no.	Dimension (ND — OD)	d (mm)	s (mm)	d <sub>i</sub> (mm)	gal/ft	lb/ft
0670708	½" — 20 mm	20	2.8	14.4	0.013	0.11
0670710	¾" — 25 mm	25	3.5	18	0.024	0.17
0670712	1" — 32 mm	32	4.4	23.2	0.034	0.27
0670714	1 ¼" — 40 mm	40	5.5	29	0.053	0.41
0670716	1 ½" — 50 mm	50	6.9	36.2	0.083	0.64
0670718	2" — 63 mm	63	8.6	45.8	0.133	1.01
0670720	2 ½" — 75 mm	75	10.3	54.4	0.187	1.44
0670722	3" — 90 mm	90	12.3	65.4	0.270	2.06
0670724	3 ½" — 110 mm	110	15.1	79.8	0.402	3.08
0670726	4" — 125 mm	125	17.1	90.8	0.521	3.96
0670730	6" — 160 mm	160	21.9	116.2	0.854	6.41
0670734	8" — 200 mm	200	27.4	145.2	1.333	10.11
0670738	10" — 250 mm	250	34.2	181.6	2.084	15.78
0070742	12" — 315 mm	315	42.6	229.8	3.340	25.05
0070744	14" — 355 mm	355	48.0	259.0	4.242	31.82

<sup>a</sup> ½" - 4" pipes come in standard 13 ft lengths (4 m). Pipes 6" and larger come in standard 19 ft lengths (5.8 m).

<sup>b</sup> To calculate exact dimensions of the pipe in imperial inches, divide the metric measurement by 25.4.

<sup>c</sup> To calculate the weight of the pipe in kg/m, multiply the measurement by 1.5.