



# S59-2007 Thermostatic Mixing Valve

- Reliable Wax-Filled Thermostat
- Elbow Checkstops on Inlets
- Adjustable Set Point within Temperature Range
- Positive Shutoff of Hot Supply When Cold Supply is Lost
- Easy Installation and Serviceability
- Dirt and Lime Resistant
- Factory Assembled and Tested
- Universal Mounting Capability

## Valve Specifications

### Maximum Operating Pressure

125 PSI (860 kPa)

### Maximum Inlet Temperature

200° F (93° C)

### Temperature Range

Std. 95° F (35° C) to 115° F (46° C)

### Set Point

105° F (41° C)

### Flow Capacities – GPM

Model	Min. Flow	Pressure Drop – PSI						
		5	10	15	20	30	45	60
S59-2007	0.5	2.0	3.5	4.5	5.0	6.5	8.0	9.5

### Flow Capacities – L/Min

Model	Min. Flow	Pressure Drop – Bar						
		.5	1.0	1.5	2.0	2.5	3.0	4.0
S59-2007	2.0	10.0	16.0	20.5	24.5	27.5	30.0	35.5



## Valve Model

### Model

- S59-2007
- S59-2007C
- S59-2007T

### Description

Under the Sink Thermostatic Mixing Valve  
 Under the Sink Thermostatic Mixing Valve, Chrome Plated  
 Under the Sink Thermostatic Mixing Valve with Dial Thermometer



Contact Bradley for cabinet options.

## Product Compliance

### Listed by IAPMO R&T to

- ASSE 1017, ASSE 1070/ASME A112.1070/CSA B125.70, CSA B125.3
- Uniform Plumbing Code (UPC)
- National Plumbing Code of Canada
- International Plumbing Code (IPC)

### Listed by ASSE International to

- ASSE 1017, ASSE 1070

### Listed by NSF International to

- NSF/ANSI 372



Standard product selections contained within this document are third party CERTIFIED to NSF/ANSI 372 meeting the Lead-Free content requirement. Any product configured with custom options will be COMPLIANT with NSF/ANSI 372 meeting the Lead-Free content requirement.

Engineer's Approval \_\_\_\_\_

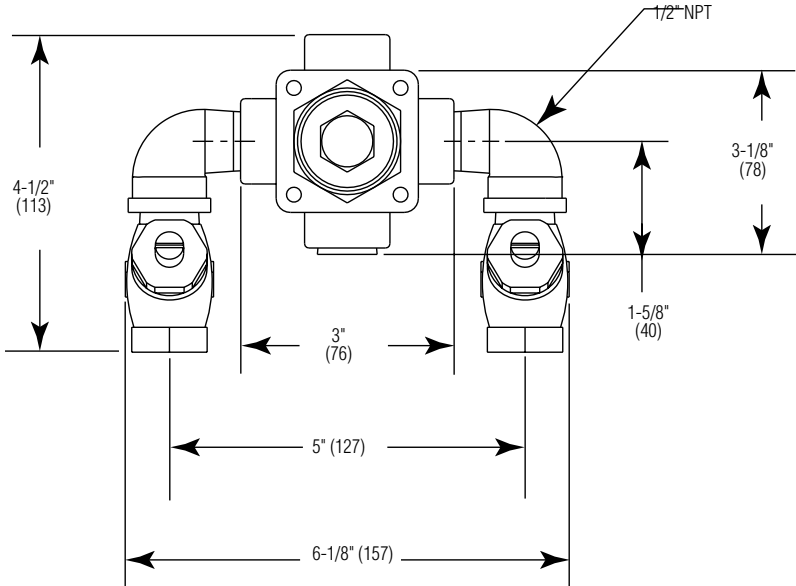


# S59-2007 Thermostatic Mixing Valve

## Dimensions

(mm)

Front View



Side View

