



S19-2150 (EFX20) Emergency Fixture Thermostatic Mixing Valve

- Exceeds ANSI Z358.1
- ASSE 1071 Certified
- Reliable Liquid-Filled Thermostat with 10-Year Warranty
- Integral Strainer Checkstops on Inlets
- Adjustable Set Point within Temperature Range
- Accurate Temperature Control to within $\pm 3^\circ$ F
- Built-in Cold Water Bypass, Assuring Cold Flow
- Positive Shutoff of Hot Supply When Cold Supply is Lost
- Easy Installation and Serviceability
- Dirt and Lime Resistant
- Dial Thermometer
- Factory Assembled and Tested
- Universal Mounting Capability
- Cabinet Features:
 - 18 Gauge Body & Door
 - Left-Hand Hinge
 - Cylinder Lock
 - Inlet/Outlet Knock-Out Holes for Mounting Flexibility
 - Stainless Steel or Baked White Enamel Finishes
 - Surface-Mounted or Recessed Style

Valve Specifications

Maximum Operating Pressure
125 PSI (860 kPa)

Maximum Inlet Temperature
180° F (82° C)

Recommended Inlet Temperature
120° F (49° C) – 140° F (60° C)

Temperature Range **Set Point**
Std. 65° F (18° C) to 90° F (32° C) 85° F (29° C)

Flow Capacities – GPM

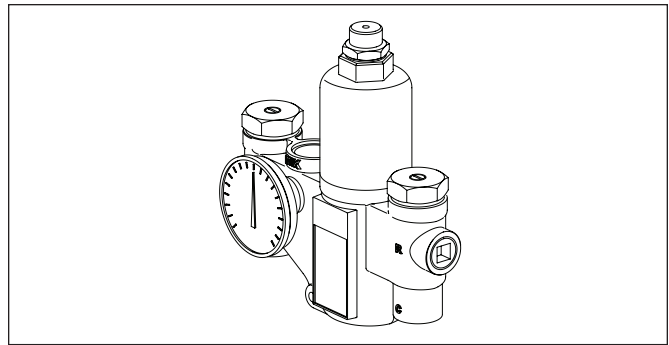
Model	Min. Flow	Pressure Drop – PSI						
		5	10	15	20	30	45	60
S19-2150	3.0	6.8	15.2	20.1	23.8	30.3	36.8	42.5

Minimum cold water bypass at 30 PSID: 16.9 GPM

Flow Capacities – L/Min

Model	Min. Flow	Pressure Drop – Bar						
		.5	1.0	1.5	2.0	2.5	3.0	4.0
S19-2150	11.4	25.7	57.5	76.1	90.1	114.7	139.3	160.9

Minimum cold water bypass at 2.1 Bar: 64.0 L/Min



Valve Model

Model	Description
<input type="checkbox"/> S19-2150	Emergency Fixture Thermostatic Mixing Valve

Configurable Valve Model (select one)

Model	Description
<input type="checkbox"/> EFX20	EFX20 Thermostatic Mixing Valve with Options
<input type="checkbox"/> CAB-EFX20	EFX20 Thermostatic Mixing Valve Cabinet Only

Optional Valve Selections

Finish	Description
<input type="checkbox"/> R	Rough Brass (standard)
<input type="checkbox"/> C	Chrome Plated

Bracket	Description
<input type="checkbox"/> B	Wall Mounting Bracket
<input type="checkbox"/> 0	None

Piped Assembly	Description
<input type="checkbox"/> P	Piped Assembly with Inlet and Outlet Shutoff
<input type="checkbox"/> N*	Piped Assembly only
<input type="checkbox"/> 0	None

Optional Cabinet Selections

Cabinets (includes bracket)	Description
<input type="checkbox"/> SS	Surface Mount Stainless Steel
<input type="checkbox"/> RS	Recessed Stainless Steel
<input type="checkbox"/> SE	Surface Mount White Enamel
<input type="checkbox"/> RE	Recessed White Enamel
<input type="checkbox"/> 0	None

Window	Description
<input type="checkbox"/> W	Plexi-Glass Window in Door
<input type="checkbox"/> 0	None

*Requires cabinet selection

Product Compliance

Listed by IAPMO R&T to

- ASSE 1071
- Uniform Plumbing Code (UPC)
- National Plumbing Code of Canada
- International Plumbing Code (IPC)



Listed by ASSE International to

- ASSE 1071



This plumbing fixture is not intended to dispense water for human consumption through drinking or for preparation of food or beverages.

© 2019 Bradley

P.O. Box 309, Menomonee Falls, WI 53052-0309
 800 BRADLEY (800 272 3539) +1 262 251 6000
 bradleycorp.com

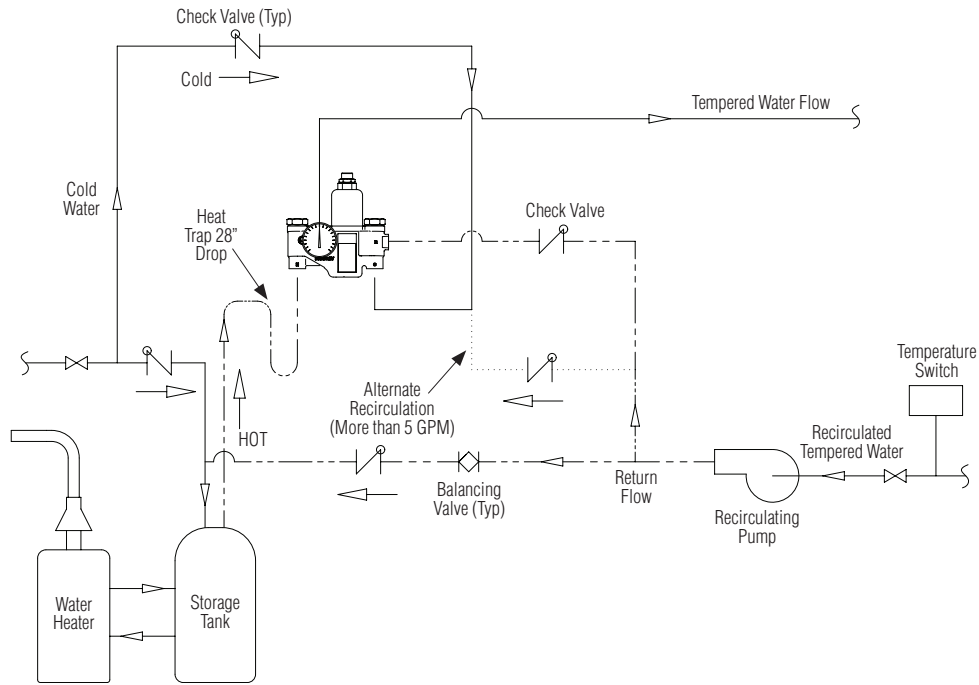
Engineer's Approval _____



S19-2150 (EFX20) Emergency Fixture Thermostatic Mixing Valve

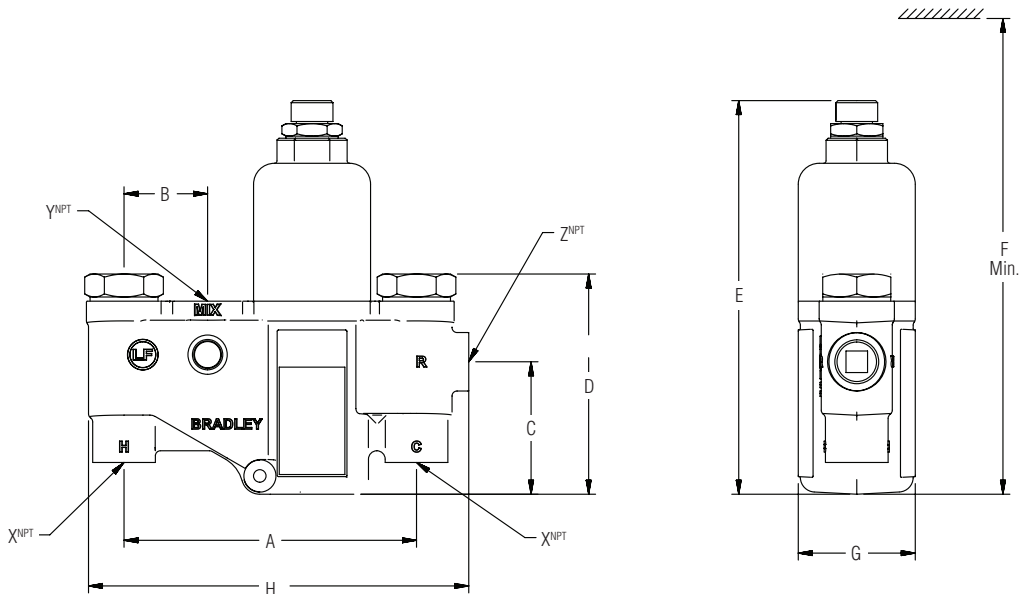
Recirculation Diagram

(mm)



Dimensions

Model	A	B	C	D	E	F	G	H	X ^{NPT}	Y ^{NPT}	Z ^{NPT}
S19-2150	7" (178)	2" (51)	3-1/8" (79)	5-1/4" (133)	9-5/8" (244)	14" (356)	2-3/4" (70)	9-3/16" (230)	3/4"	1"	3/4"



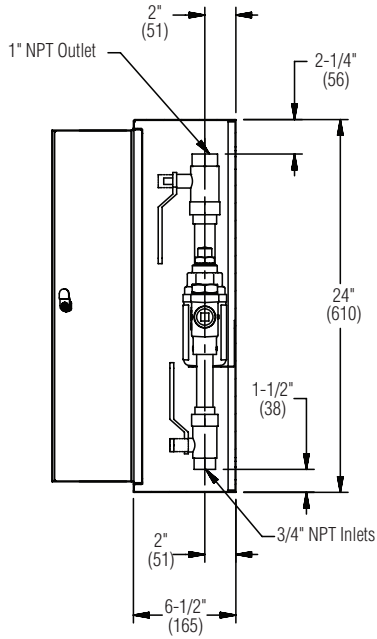


S19-2150 (EFX20) Emergency Fixture Thermostatic Mixing Valve

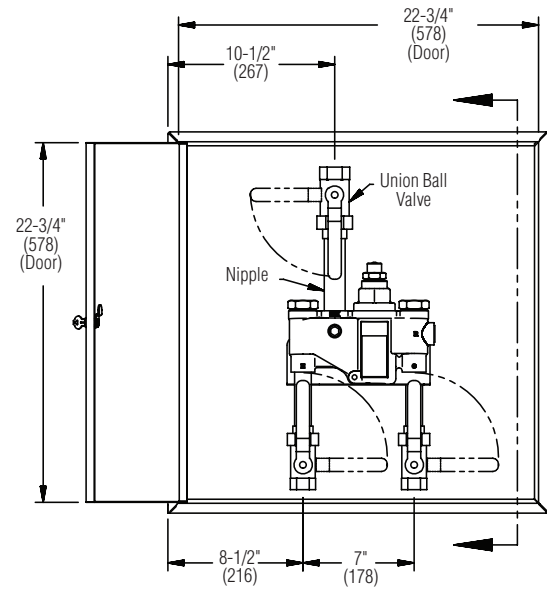
Dimensions — Surface-Mounted Cabinet

(mm)

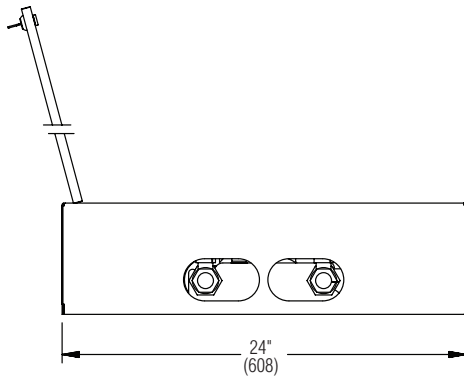
Side View



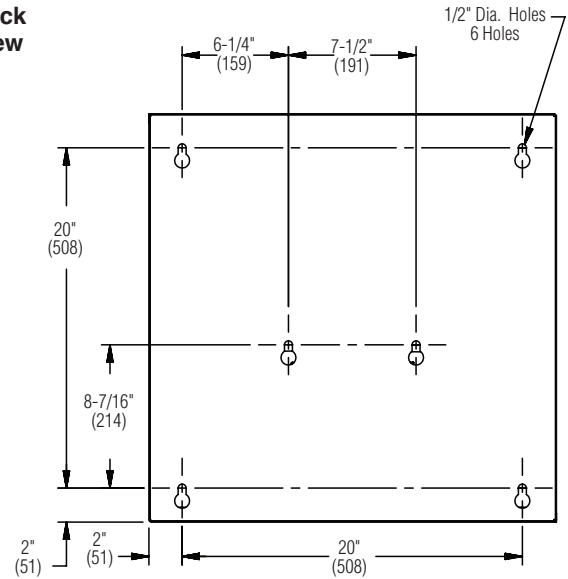
Front View



Bottom View



Back View



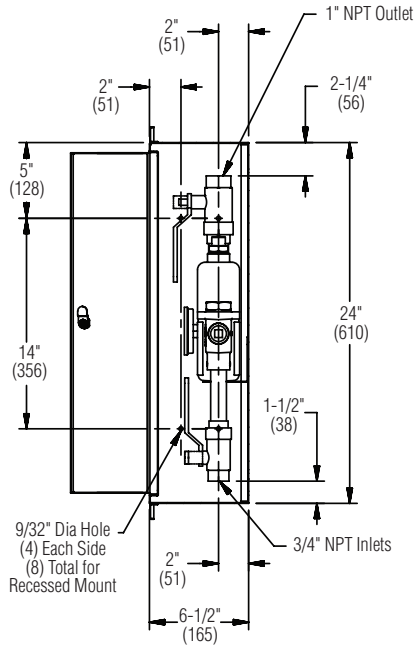


S19-2150 (EFX20) Emergency Fixture Thermostatic Mixing Valve

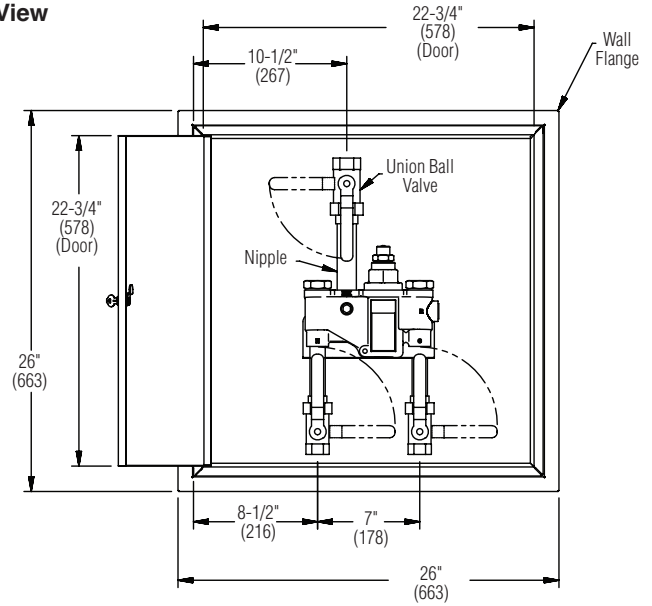
Dimensions — Recessed Cabinet

(mm)

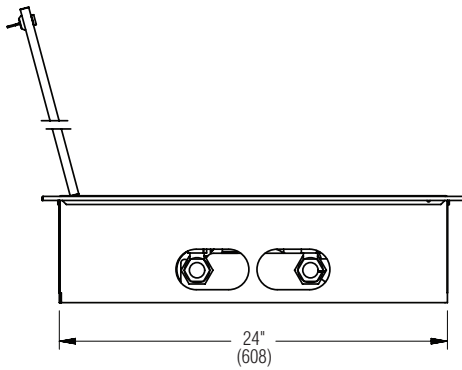
Side View



Front View



Bottom View



Back View

