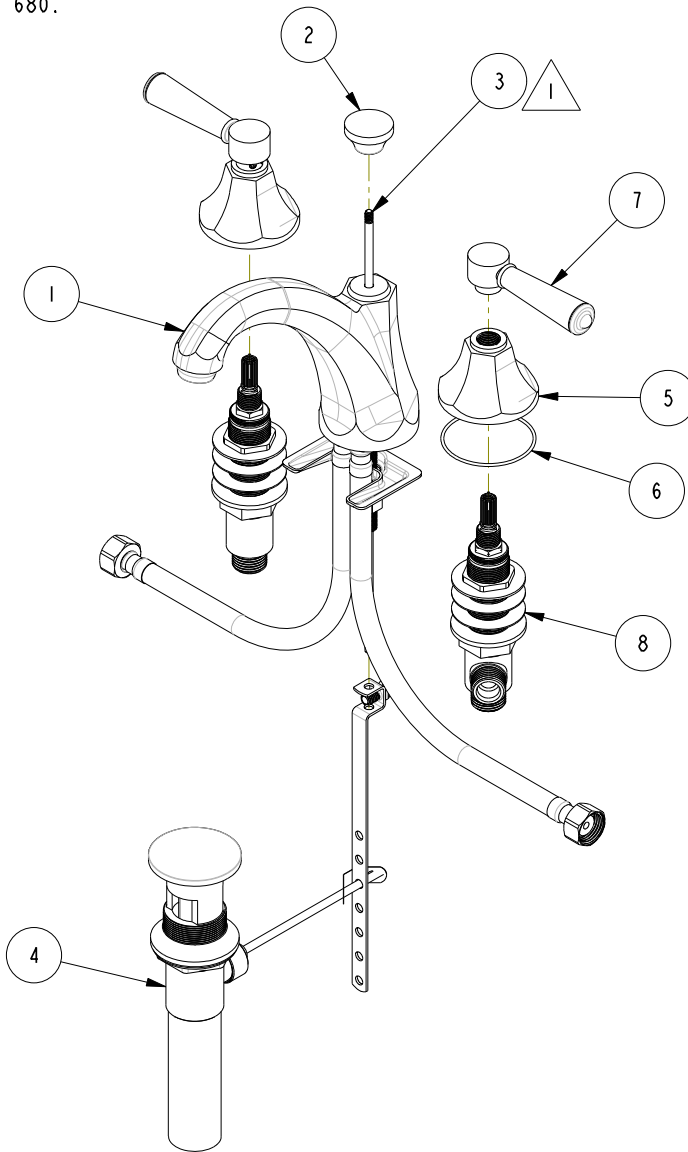


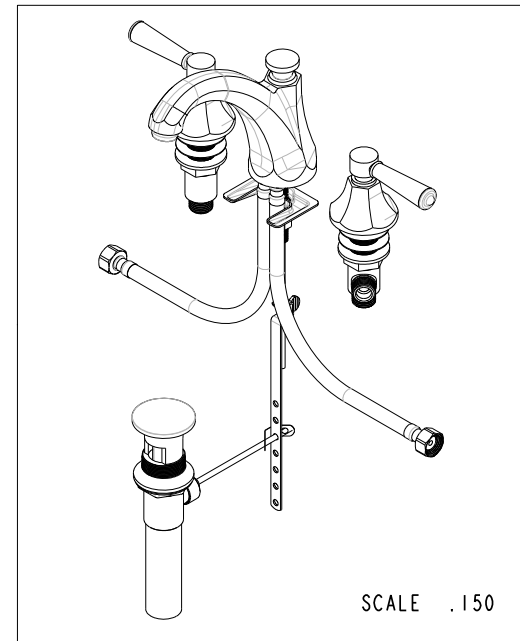
NOTES:

1 △ APPLY ADHESIVE LOCTITE 680.



**BILL OF MATERIAL (CURRENT LEVEL)**

ITEM	PT/ASSY	DESCRIPTION	TYPE	QTY.
1	3-539	SPOUT ASM	ASSEMBLY	1
2	10961	SMOOTH POP - UP KNOB	PART	1
3	10288	3/16" POP UP ROD	PART	1
4	325	POP UP ASSEMBLY	ASSEMBLY	1
5	10960	HEX ESCUTCHEON	PART	2
6	91386	O-RING, #2-034, EPDM, 65-75 DURO	PART	2
7	2-279	TAPERED LEVER HNDL ASM	ASSEMBLY	2
8	1-525	W/S VALVE INSTALLATION	ASSEMBLY	1



COPYRIGHT 2005 BRASSTECH, INC. THESE DRAWINGS AND THE DESIGNS DEPICTED HEREIN ARE THE PROPRIETARY PROPERTY OF BRASSTECH. ANY USE OR REPRODUCTION IS SUBJECT TO THE EXPRESS APPROVAL OF BRASSTECH. UNAUTHORIZED USE IS STRICTLY PROHIBITED. ALL RIGHTS RESERVED.

**BRASSTECH**  
INCORPORATED  
2001 CARNEGIE AVE.  
SANTA ANA, CA 92705  
(949) 417-5207

**WIDESPREAD FAUCET**

ASSY. NO. **1200C**

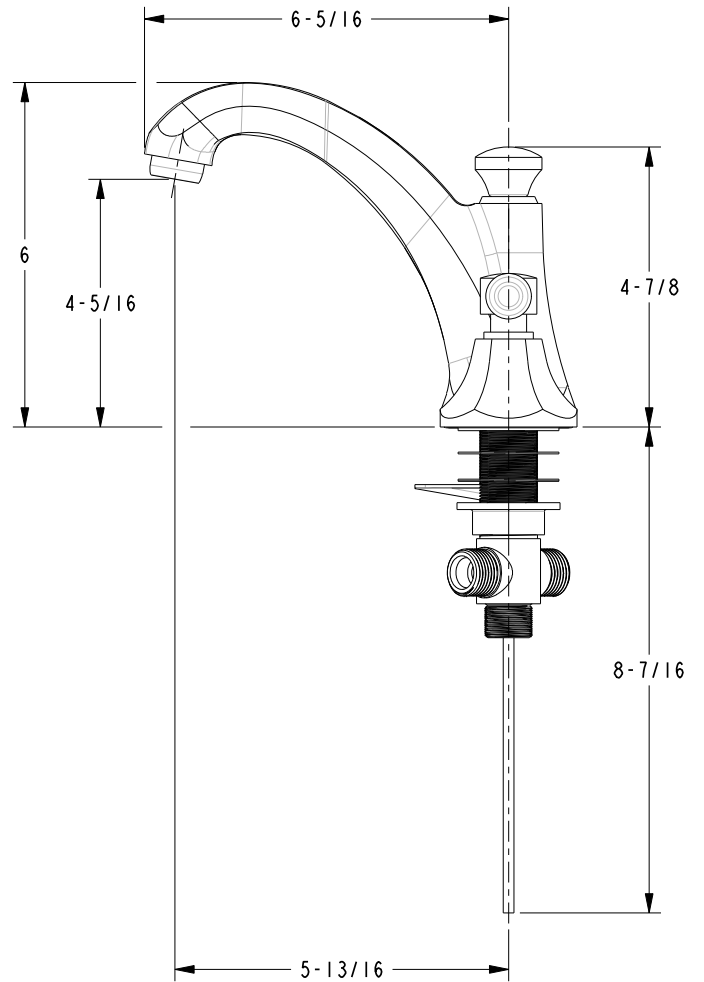
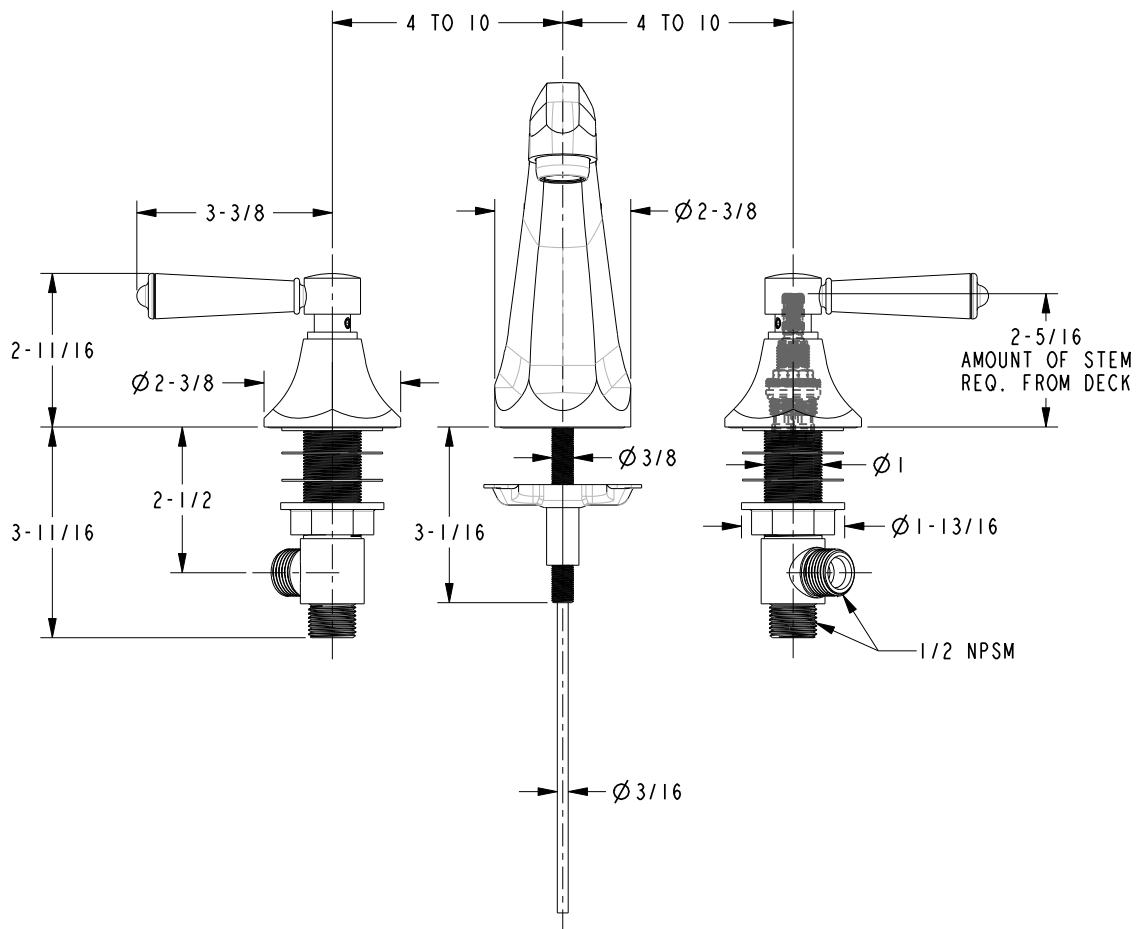
SCALE .220

REF. -

SHEET 1 OF 2

A	EN-2832	11/06/14
-	EN-2781	08/18/14
REV	REV DESC	DATE

**SPECIFICATION DWG**



DIMENSIONS ARE IN INCHES AND AN APPROXIMATION OF A TYPICAL INSTALLATION

COPYRIGHT 2005 BRASSTECH, INC. THESE DRAWINGS AND THE DESIGNS DEPICTED HEREIN ARE THE PROPRIETARY PROPERTY OF BRASSTECH. ANY USE OR REPRODUCTION IS SUBJECT TO THE EXPRESS APPROVAL OF BRASSTECH. UNAUTHORIZED USE IS STRICTLY PROHIBITED. ALL RIGHTS RESERVED.

<b>BRASSTECH</b>		2001 CARNEGIE AVE. SANTA ANA, CA 92705 (949) 417-5207
DWG NO.	1200C	REV A
SCALE	.300	REF. -
		SHEET 2 OF 2