

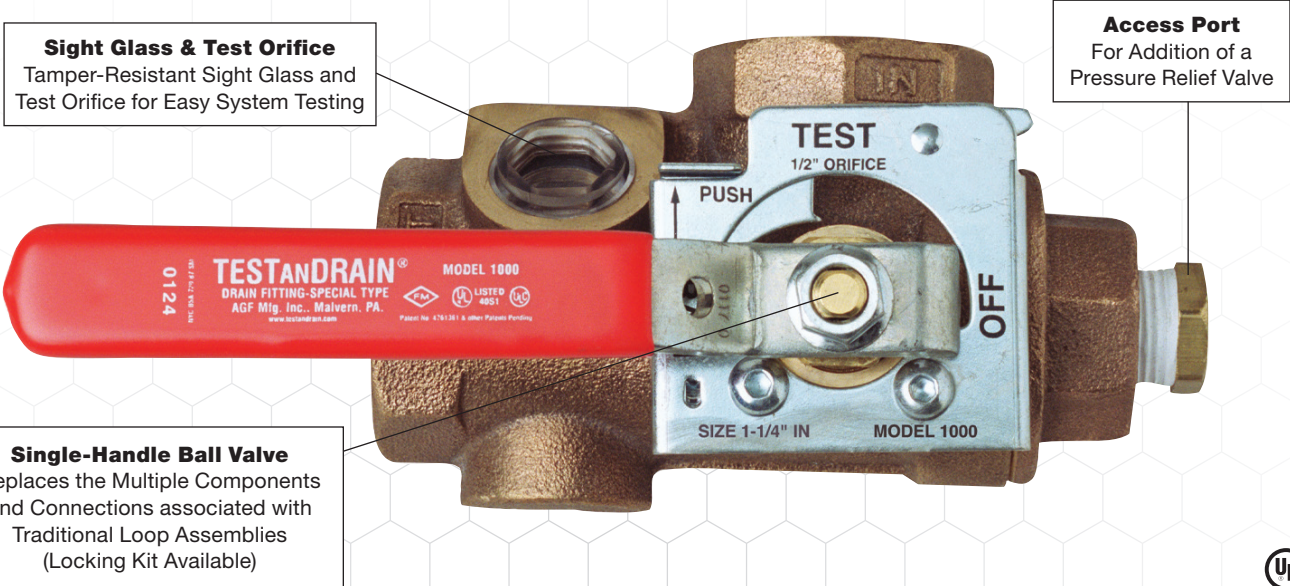
# TESTANDRAIN®

## Model 1000

WWW.TESTANDRAIN.COM

### Sectional Floor Control Inspector's Test Valve

The AGF TESTANDRAIN Model 1000 revolutionized the fire sprinkler industry by replacing traditional loop assemblies on wet fire sprinkler systems, in multi-story installations, with a single-handle ball valve. The Model 1000 provides the express test and drain functions. All TESTANDRAIN models are field serviceable and repair kits are available.



### Available Models

Size	Item ID	Orifice Size
3/4"	100	2.8K
	101	4.2K
	102	5.6K
	103	8.0K
	104	11.2K

Size	Item ID	Orifice Size
1"	110	2.8K
	111	4.2K
	112	5.6K
	113	8.0K
	114	11.2K

Size	Item ID	Orifice Size
1 1/4"	120	2.8K
	121	4.2K
	122	5.6K
	123	8.0K
	124	11.2K
	125	14.0K

Size	Item ID	Orifice Size
1 1/2"	130	2.8K
	131	4.2K
	132	5.6K
	133	8.0K
	134	11.2K
	135	14.0K
	136	25.2K

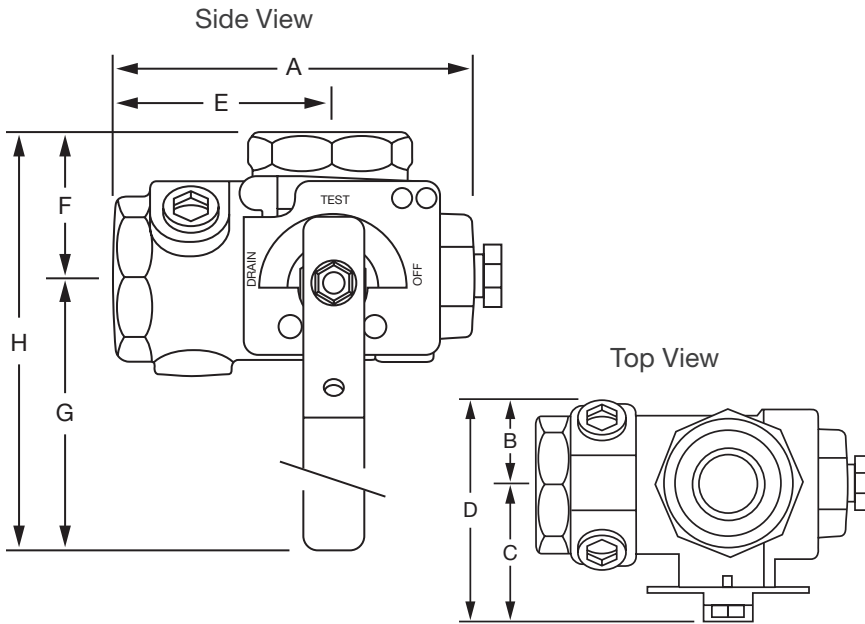
Size	Item ID	Orifice Size
2"	140	2.8K
	141	4.2K
	142	5.6K
	143	8.0K
	144	11.2K
	145	14.0K
	146	25.2K

Most Popular Models



**Reliability, Versatility, Code Compatibility**

# Technical Data



## Dimensions

Size	A	B	C	D	E	F	G	H
3/4"	5 1/16" (128 mm)	1 1/2" (38 mm)	2 3/16" (57 mm)	3 5/8" (93 mm)	3 3/8" (86 mm)	1 13/16" (46 mm)	4 9/16" (117 mm)	6 3/8" (163 mm)
1"	5 1/16" (128 mm)	1 1/2" (38 mm)	2 3/16" (57 mm)	3 5/8" (93 mm)	3 3/8" (86 mm)	1 13/16" (46 mm)	4 9/16" (117 mm)	6 3/8" (163 mm)
1 1/4"	5 7/16" (163 mm)	1 11/16" (43 mm)	2 9/16" (65 mm)	4 1/4" (108 mm)	3 5/8" (91 mm)	1 15/16" (51 mm)	5 1/16" (141 mm)	7 1/2" (192 mm)
1 1/2"	6 1/16" (163 mm)	1 13/16" (45 mm)	3 1/4" (82 mm)	5 1/16" (127 mm)	3 7/8" (99 mm)	2 5/8" (67 mm)	8 1/4" (207 mm)	10 7/8" (274 mm)
2"	6 7/16" (163 mm)	1 13/16" (45 mm)	3 1/4" (82 mm)	5 1/16" (127 mm)	3 7/8" (99 mm)	2 5/8" (67 mm)	8 1/4" (207 mm)	10 7/8" (274 mm)

Sizes have been rounded to the highest millimeter

## Orifice Sizes

Nominal K-Factor [gpm/(psi) <sup>1/2</sup> ]	K-Factor Range [gpm/(psi) <sup>1/2</sup> ]	Fractional Size	Nominal K-Factor [L/min/(bar) <sup>1/2</sup> ]
2.8	2.6 - 2.9	3/8"	40
4.2	4.0 - 4.4	7/16"	60
5.6	5.3 - 5.8	1/2"	80
8.0	7.4 - 8.2	17/32"	115
11.2*	10.7 - 11.7*	5/8"*	160*
14.0*	13.5 - 14.5*	3/4"*	200*
25.2**	23.9 - 26.5**	~	360**

\*Available on 1 1/4", 1 1/2", & 2" size units only

\*\*Available on 1 1/2" and 2" size units only

## Sizes

- 3/4"
- 1"
- 1 1/4"
- 1 1/2"
- 2"

## Materials

- Handle ..... Steel
- Stem ..... Rod Brass
- Ball..... C.P. Brass
- Body ..... Bronze
- Valve Seat..... Impregnated Teflon®
- Indicator Plate ..... Steel
- Relief Valve ..... Bronze
- Bypass Fittings..... Brass
- Bypass Tube..... Nylobraid

## Inlet/Outlet Connections

NPT (BSPT Available)

## Installation Orientation

- Horizontal
- Vertical

## Electrical Requirements

None

## Pressure Rating

300 PSI

## Approvals

UL (EX4019)  
FM

## Compliance

NFPA 13  
NYC-BSA No. 720-87-SM



NOTE: UL and FM standards for sprinkler system pressure relief valves require relief valves to operate within a range of their ratings. FM requires a relief valve to OPEN at a pressure no less than 85% of their rating and UL requires OPENING at a pressure no greater than 105% of their rating. Both standards require the relief valves to CLOSE within a percentage below OPEN. Choose the relief valve comparing static pressure to 90% of the relief valve's rating to determine the estimated minimum OPENING and 80% of the relief valve's rating for approximate maximum CLOSING. The relief valve should be installed where it is easily accessible for maintenance. Care should be taken that the relief valve CANNOT be isolated from the system when the system is operational. A relief valve should NEVER have a shutoff valve or a plug downstream of its outlet.



**AGF Manufacturing Inc.**  
100 Quaker Lane, Malvern, PA 19355

Phone: 610-240-4900  
Fax: 610-240-4906

[www.agfmfg.com](http://www.agfmfg.com)

Job Name: \_\_\_\_\_

Architect: \_\_\_\_\_

Engineer: \_\_\_\_\_

Contractor: \_\_\_\_\_