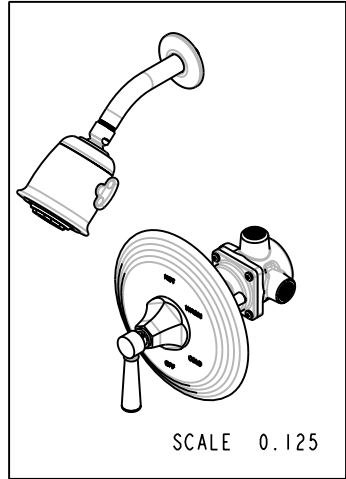
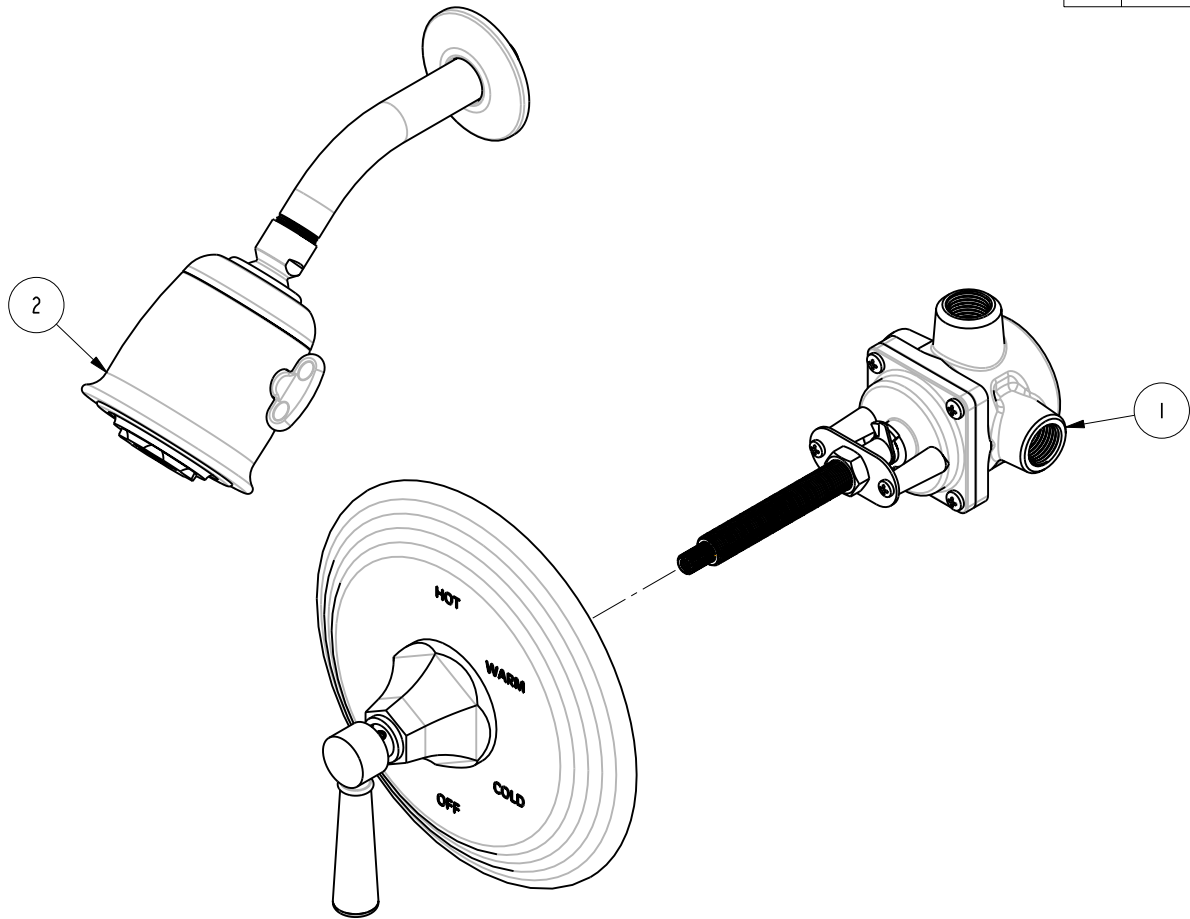


| BILL OF MATERIAL (CURRENT LEVEL) |          |                           |          |      |
|----------------------------------|----------|---------------------------|----------|------|
| ITEM                             | PT/ASSY  | DESCRIPTION               | TYPE     | QTY. |
| 1                                | 1-504    | BP VALVE ASM W/O DIVERTER | ASSEMBLY | 1    |
| 2                                | 3-1204BP | TRIM KIT - BP SHOWER SET  | ASSEMBLY | 1    |



COPYRIGHT 2005 BRASSTECH, INC. THESE DRAWINGS AND THE DESIGNS DEPICTED HEREIN ARE THE PROPRIETARY PROPERTY OF BRASSTECH. ANY USE OR REPRODUCTION IS SUBJECT TO THE EXPRESS APPROVAL OF BRASSTECH. UNAUTHORIZED USE IS STRICTLY PROHIBITED. ALL RIGHTS RESERVED.

**BRASSTECH**  
INCORPORATED  
2001 E. CARNEGIE AVE.  
SANTA ANA, CA 92705  
(949) 417-5207

SHOWER SET W/BP

ASSY. NO. 1204BP

SCALE 0.250

REF. -

SHEET 1 OF 3

|     |          |          |
|-----|----------|----------|
| A   | EO-0224  | 07/01/03 |
| -   | RELEASED | 10/10/01 |
| REV | REV DESC | DATE     |

4

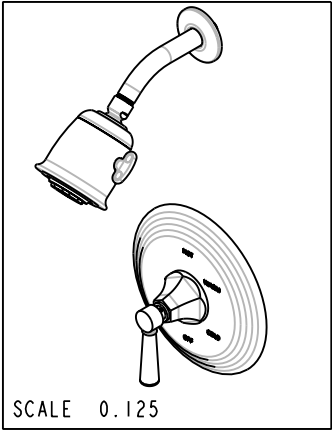
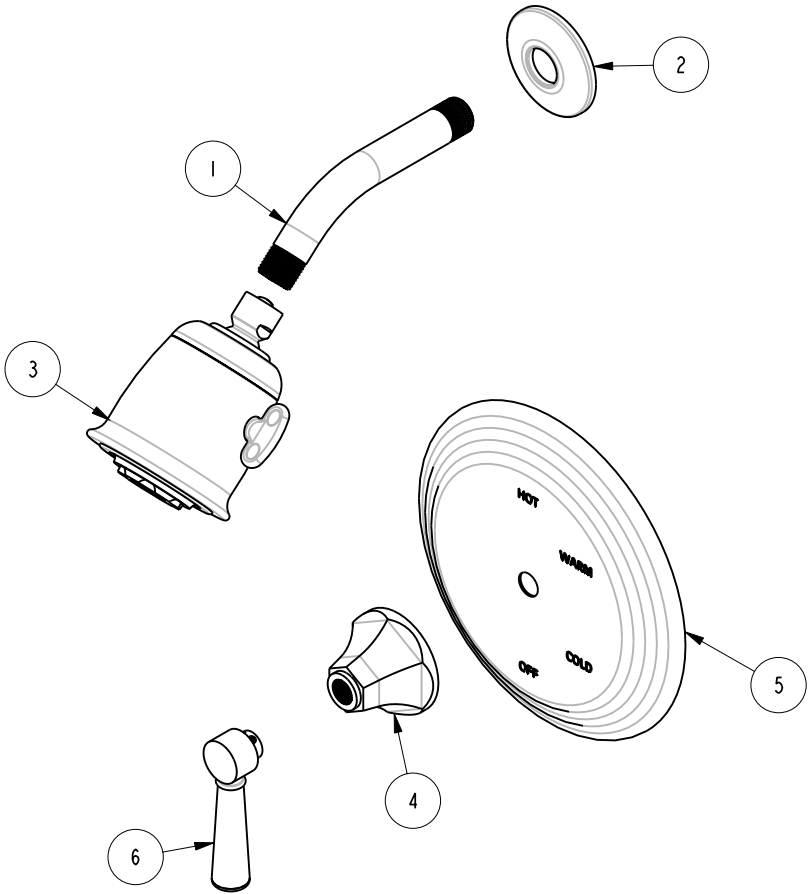
3

2

1

BILL OF MATERIAL (CURRENT LEVEL)

| ITEM | PT/ASSY | DESCRIPTION               | TYPE     | QTY. |
|------|---------|---------------------------|----------|------|
| 1    | 200     | SHOWER ARM 6" BRASS       | PART     | 1    |
| 2    | 206     | SHOWER ARM FLANGE 2.5     | PART     | 1    |
| 3    | 2131    | BELL SHOWERHEAD           | ASSEMBLY | 1    |
| 4    | 10960   | HEX ESCUTCHEON            | PART     | 1    |
| 5    | 2-225   | BP COVER PLATE FOR SHOWER | ASSEMBLY | 1    |
| 6    | 2-279   | TAPERED LEVER HNDL ASM    | ASSEMBLY | 1    |



COPYRIGHT 2005 BRASSTECH, INC. THESE DRAWINGS AND THE DESIGNS DEPICTED HEREIN ARE THE PROPRIETARY PROPERTY OF BRASSTECH. ANY USE OR REPRODUCTION IS SUBJECT TO THE EXPRESS APPROVAL OF BRASSTECH. UNAUTHORIZED USE IS STRICTLY PROHIBITED. ALL RIGHTS RESERVED.

**BRASSTECH**  
 INCORPORATED  
 2001 E. CARNEGIE AVE.  
 SANTA ANA, CA 92705  
 (949) 417-5207

TRIM KIT - BP SHOWER SET

ASSY. NO. 1204BP

SCALE 0.225

REF. -

SHEET 2 OF 3

|     |          |          |
|-----|----------|----------|
| A   | EO-0224  | 07/01/03 |
| -   | RELEASED | 10/10/01 |
| REV | REV DESC | DATE     |

4

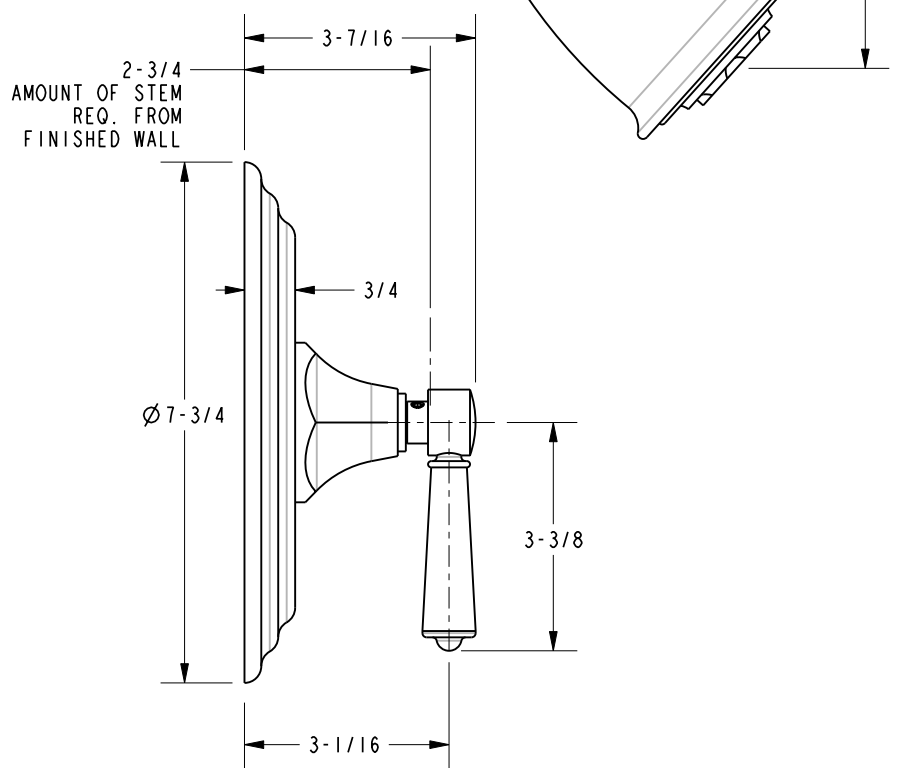
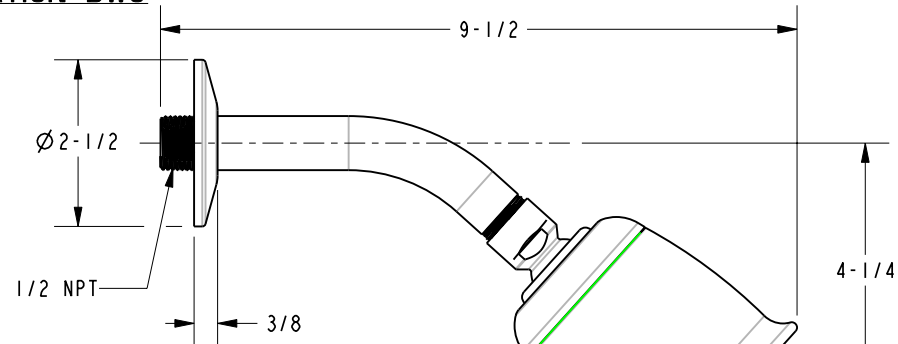
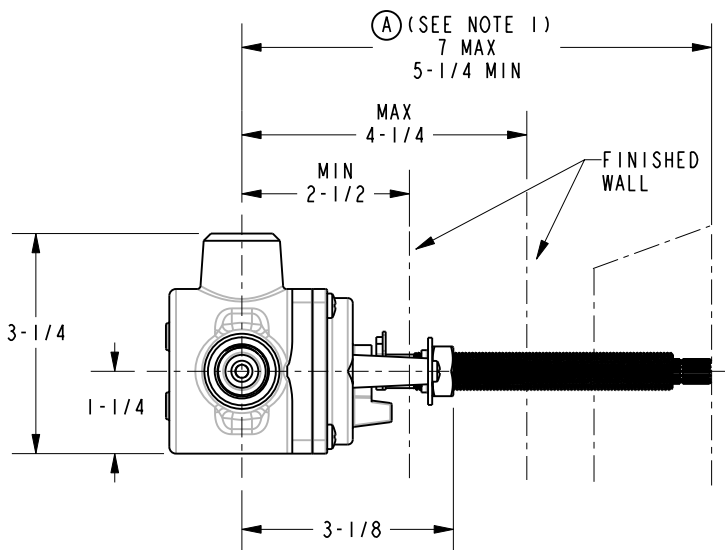
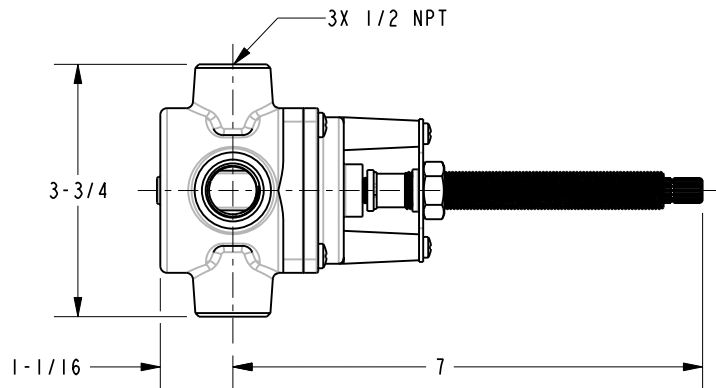
3

2

1

**SPECIFICATION DWG**

1. CUT STEM TO DIMENSION "A".  
CUT ALL-THREAD 1/2"  
SHORTER THAN STEM



DIMENSIONS ARE IN INCHES AND AN APPROXIMATION OF A TYPICAL INSTALLATION

COPYRIGHT 2005 BRASSTECH, INC. THESE DRAWINGS AND THE DESIGNS DEPICTED HEREIN ARE THE PROPRIETARY PROPERTY OF BRASSTECH. ANY USE OR REPRODUCTION IS SUBJECT TO THE EXPRESS APPROVAL OF BRASSTECH. UNAUTHORIZED USE IS STRICTLY PROHIBITED. ALL RIGHTS RESERVED.

|                  |        |  |        |
|------------------|--------|--|--------|
| <b>BRASSTECH</b> |        | 2001 E. CARNEGIE AVE.<br>SANTA ANA, CA 92705<br>(949) 417-5207 |        |
| INCORPORATED     |        |  |        |
| DWG NO.          | 1204BP | REV  | A      |
| SCALE            | 0.350  | REF.   | -      |
|                  |        | SHEET  | 3 OF 3 |