

BRADENTON

ELONGATED TWO-PIECE TOILET - 21" BOWL HEIGHT

SKU: 948428-12-21



CONTENTS

TOILET	PAGE 2
BIDET SEAT	PAGE 3

FEATURES

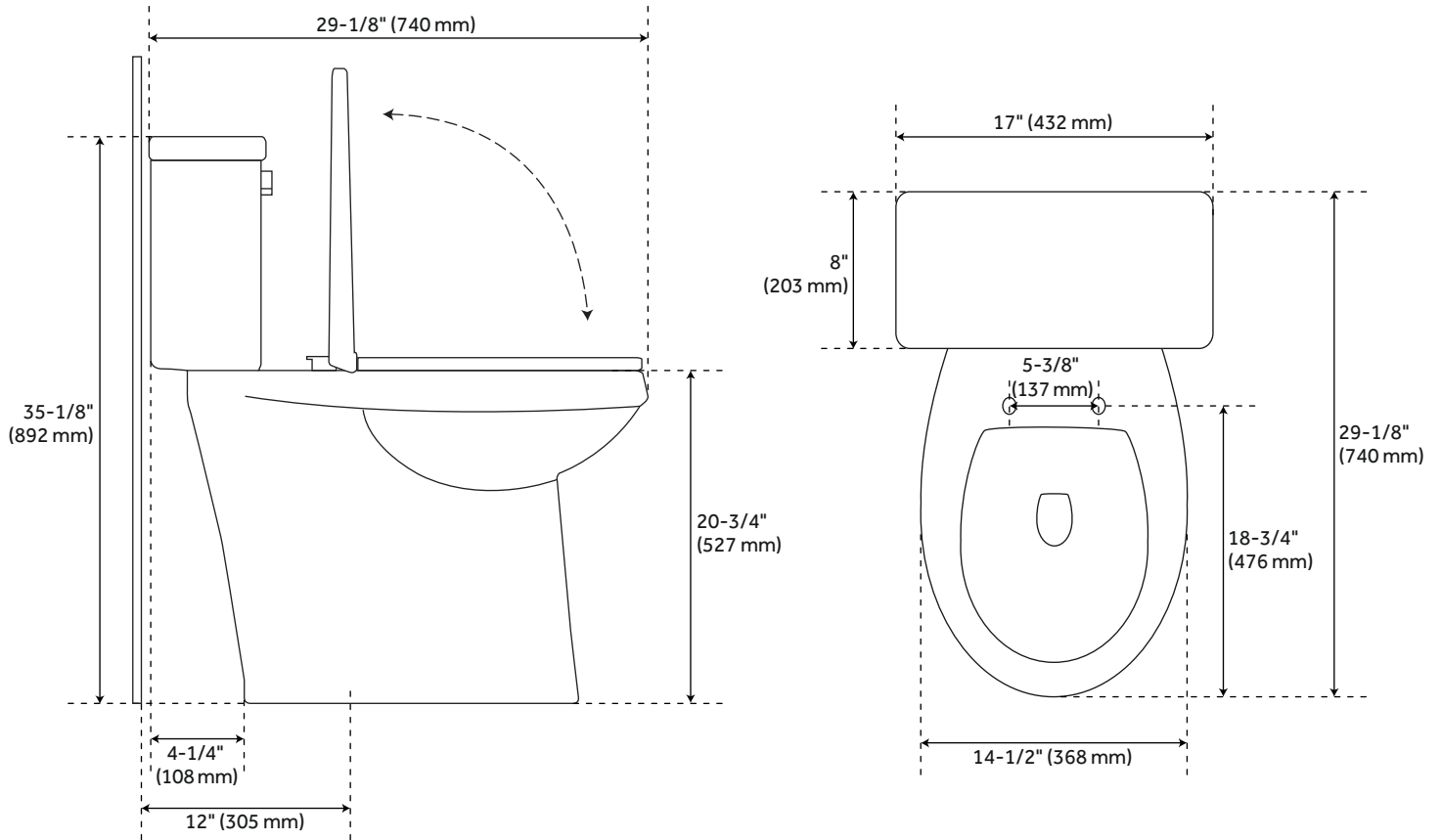
- Product Finish: White
- Material: Porcelain
- Bowl Shape: Elongated
- Hardware Finish: Chrome
- Seat Included: Yes
- Skirted Bowl with Concealed Trapway
- Standard Seat Features Soft-Close Mechanism
- Flush Levers: Offered in Left and Right Configurations
- Toilet with a Standard Seat Meets ADA Requirements when Installed According to ADA Guidelines
- High Efficiency Toilet Uses 20% Less Water than Standard Toilets
- Optional Bidet Seat Details:
 - Bidet Seat Adds 1" to Bowl Height
 - Side Knob Allows for Adjustment of Angle, Water Volume, and Cleaning Type
 - Spray Nozzle Features Multiple Holes for a Softer Cleanse and Water Saving Operation
 - Spray Nozzle is Self-Cleaning, Antibacterial, and Removable for Further Cleaning
 - Bidet Seat has a Glossy Finish with Protective Bumpers and Self-Closing Seat/Lid
 - Includes Polished Chrome Metal Flush Lever

REVISED 03/29/2022

BRADENTON

ELONGATED TWO-PIECE TOILET - 21" BOWL HEIGHT - LEFT HAND

SKU: 948428-12-21



FEATURES

Rough In: 12"
Length: 17"
Height: 35-1/8"
Depth: 29-1/8"
Bowl Height: 20-3/4"
Gallons Per Flush: 1.28 (4.8 Lpf)

CODES/STANDARDS

ASME A112.19.2/CSA B45.1
WaterSense
CEC listed
Massachusetts Accepted

PRODUCT IMAGE

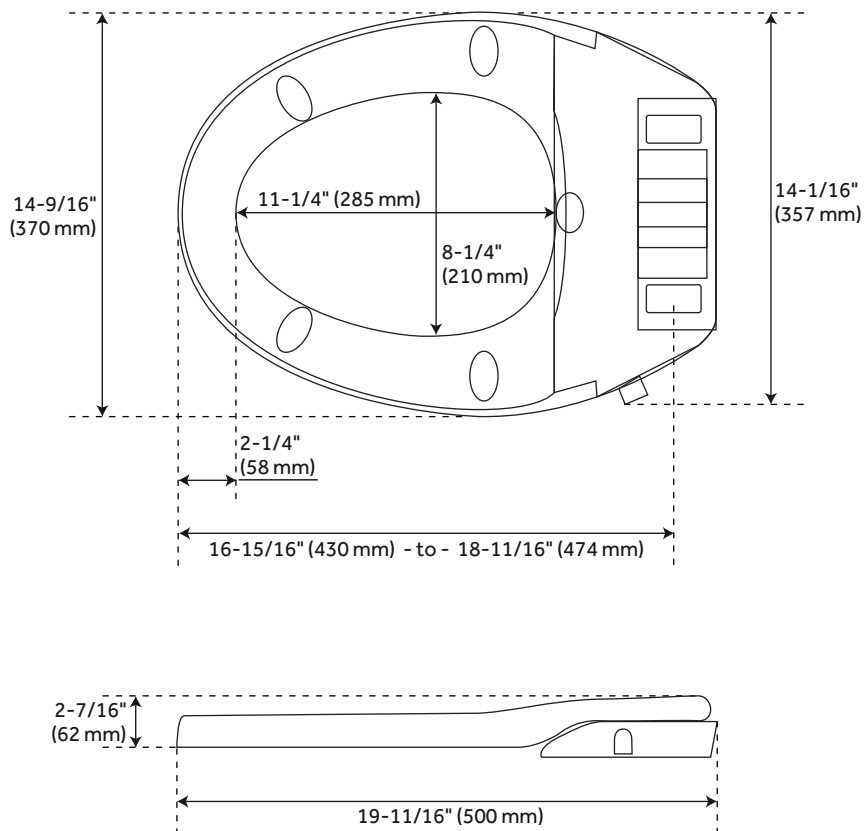


All dimensions and specifications are nominal and may vary. Use actual products for accuracy in critical situations.

BROOKDALE

MANUAL BIDET SEAT - WHITE

SKU: 459739



FEATURES

Length: 19-11/16"
Width: 14-9/16"
Height: 2-7/16"

CODES/STANDARDS

cUPC
ASME A112.4.2/CSA B45.16
Massachusetts Accepted

PRODUCT IMAGE



All dimensions and specifications are nominal and may vary. Use actual products for accuracy in critical situations.

PAGE 3
Code: SHBDS300