

**For Residential and Commercial Applications**

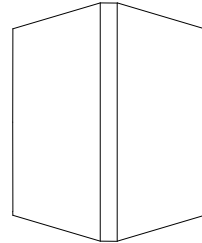
Job Name		Engineer / Architect	
Job Location		Wholesaler	
Submittal Date		Contractor	

## 60 Series Compression Sleeves

**Use:** For use instrumentation, hydraulic and pneumatic systems. Designed for use with aluminum, copper and plastic tubing. Not intended for use with steel tubing.

**Design Features:**

- **Little to no tube preparation.** Compression fittings do not require flaring, soldering or other types of tube preparation
- **Available in a broad range of sizes**



**Operating Specifications:**

- Temperature:** -65° - 250° F at maximum operating pressures  
**Working Pressure:** see chart below  
**Vibration:** Fair vibration resistance



<b>WORKING PRESSURE</b>		
PSI	Tube O.D.	Tube Wall (Inches)
400	1/8	0.030
400	3/16	0.030
300	1/4	0.030
300	5/16	0.032
200	3/8	0.032
200	1/2	0.032
150	5/8	0.035
100	3/4	0.035
75	7/8	0.035

<b>MATERIAL SPECIFICATIONS</b>	
<b>Compression Sleeve</b>	<b>C36000 brass</b>

**Standard Part Listing:**

- 60-2 For 1/8" OD Tube
- 60-2 B For 1/8" OD Tube, bulk
- 60-3 For 3/16" OD Tube
- 60-3 B For 3/16" OD Tube, bulk
- 60-4 For 1/4" OD Tube
- 60-4 B For 1/4" OD Tube, bulk
- 60-4 CB For 1/4" OD Tube, chrome plated, bulk

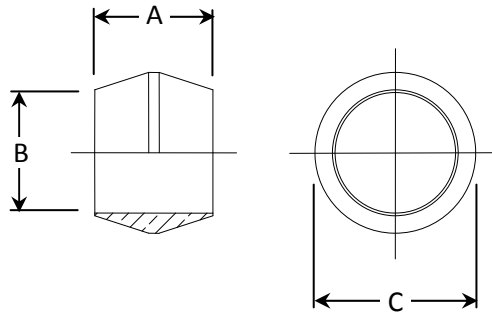
*This specification and all information contained herein is the confidential and exclusive property of BrassCraft Manufacturing, and shall not be disclosed to others without the written consent of BrassCraft. This specification must be returned to BrassCraft if requested.*



## 60 Series Compression Sleeves

### Standard Part Listing (con't):

<input type="checkbox"/>	60-5	For 5/16" OD Tube
<input type="checkbox"/>	60-5 B	For 5/16" OD Tube, bulk
<input type="checkbox"/>	60-6	For 3/8" OD Tube
<input type="checkbox"/>	60-6 B	For 3/8" OD Tube, bulk
<input type="checkbox"/>	60-7	For 7/16" OD Tube
<input type="checkbox"/>	60-7 B	For 7/16" OD Tube, bulk
<input type="checkbox"/>	60-8	For 1/2" OD Tube
<input type="checkbox"/>	60-8 B	For 1/2" OD Tube, bulk
<input type="checkbox"/>	60-10	For 5/8" OD Tube
<input type="checkbox"/>	60-10 B	For 5/8" OD Tube, bulk
<input type="checkbox"/>	60-12	For 3/4" OD Tube
<input type="checkbox"/>	60-12 B	For 3/4" OD Tube, bulk
<input type="checkbox"/>	60-14	For 3/4" OD Tube
<input type="checkbox"/>	60-14 B	For 3/4" OD Tube, bulk



PART DIMENSIONS (Inches)			
Model	DIM. A	DIA. B	DIA. C
60-2	.19	.130	.188
60-3	.22	.192	.266
60-4	.25	.255	.340
60-5	.25	.318	.406
60-6	.25	.382	.468

PART DIMENSIONS (Inches)			
Model	DIM. A	DIA. B	DIA. C
60-7	.31	.444	.531
60-8	.31	.507	.597
60-10	.31	.632	.718
60-12	.44	.758	.875
60-14	.34	.893	1.00

*This specification and all information contained herein is the confidential and exclusive property of BrassCraft Manufacturing, and shall not be disclosed to others without the written consent of BrassCraft. This specification must be returned to BrassCraft if requested.*

**BrassCraft**<sup>®</sup>